

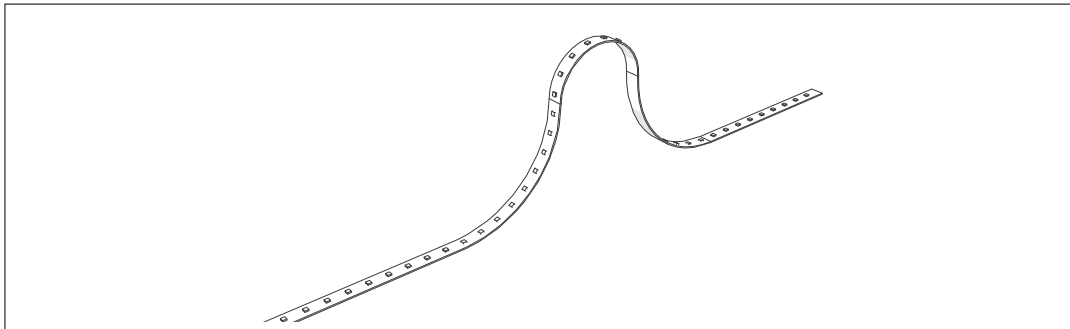
integral™ LED

INSTALLATION INSTRUCTIONS
INSTRUCTIONS D'INSTALLATION
INSTALLATIE INSTRUCTIES
INSTRUCCIONES DE INSTALACIÓN
INSTALLATIONSANLEITUNG
INSTRUKCJE INSTALACJI
INSTRUÇÕES DE INSTALAÇÃO

12V + 24V INTEGRAL LED STRIP - IP20



IS 1001



HANDLE WITH CARE / MANIPULER AVEC SOIN / BREEKBAAR / TRATAR CON CUIDADO / MIT VORSICHT BEHANDELN / OSTROŻNIE / MANUSEIE COM CUIDADO / MANEGGIARE CON CURA

1

Installation / Installation / Installatie / Instalación / Installation / Instalacja / Instalação / Installazione

1.1

1.2

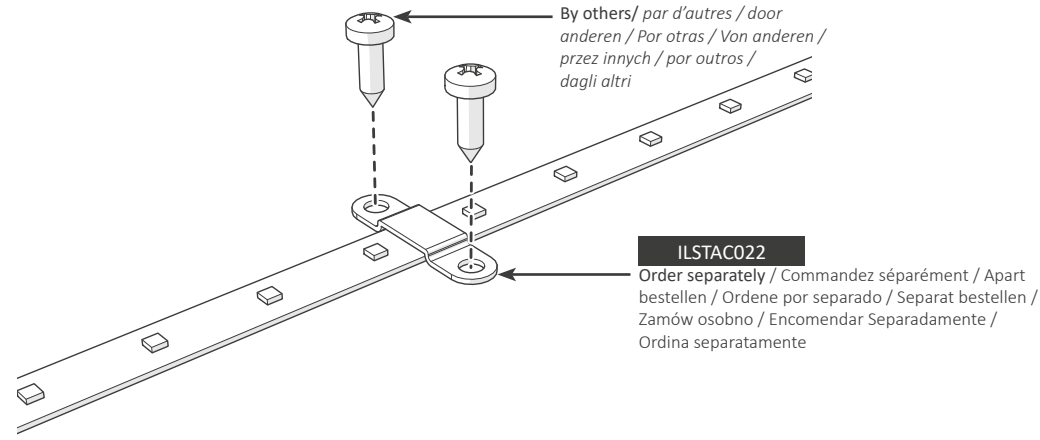
Recommended tool /
Outil recommandé /
Aanbevolen tool /
Herramienta recomendada /
Empfohlenes Werkzeug /
Polecane narzędzie / Ferramenta recomendada / Strumento consigliato

1.3

1.4

1

Optional / Optioneel / Opcional / Opcjonalny / Opzionale

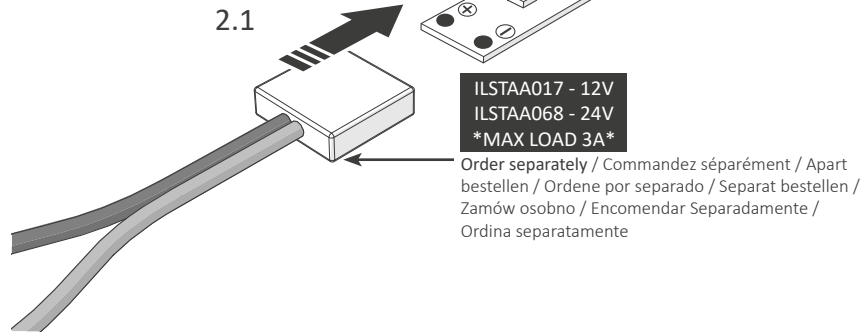


2

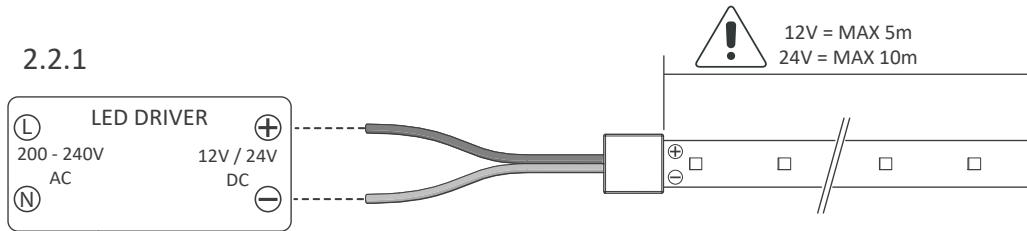
Connection / Lien / Verbindung / Conexión / Verbindung / Potężenie / Conexão / Connessione

12V + 24V

LED W	DRIVER W
12V = 4.5W/m	LED W/m x Length x 110%
12V = 6.5W/m	LED W/m x Length x 110%
24V = 10.5W/m	LED W/m x Length x 120%

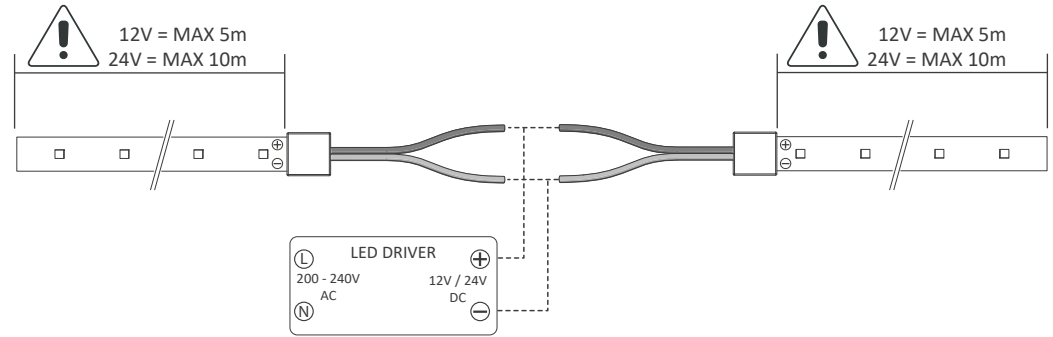


2.2.1



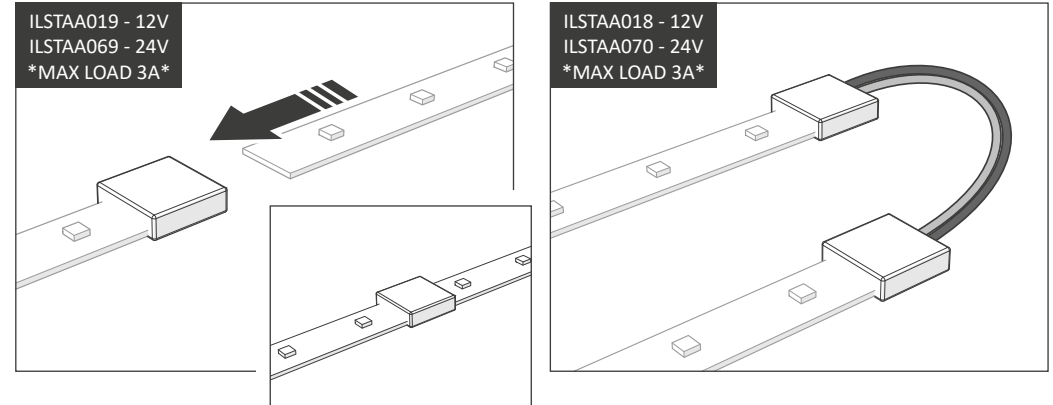
Order separately / Commandez séparément / Apart bestellen / Ordene por separado / Separat bestellen / Zamów osobno / Encomendar Separadamente / Ordina separatamente

2.2.2



i

Accessories / Accessoires / Accesorios / Zubehör / Akcesoria / Acessórias / Accessori



Warranty/ Technical & contact information are all available at www.integral-led.com

IS1032 A



All Trademarks Acknowledged

Integral LED is a division of Integral Memory plc:
Unit 6, Iron Bridge Close, Iron Bridge Business Park,
London, NW10 0UF, UK
Integral Europe BV, 2801 DG, NL