



# integral™ LED

IP20

PLEASE READ BEFORE USE

## Integral LED RGB Colour Changing Remote Control and Receiver ILRC009



**WARNING**



**DO NOT CONNECT THE RECEIVER TO A MAINS SUPPLY.  
THE RECEIVER MUST ONLY BE CONNECTED TO A SUITABLE DC12-24V LED DRIVER.**

### IMPORTANT NOTICE

- This product should be installed according to the instructions in this guide and by a qualified electrical installer.
- All electrical work must be completed in accordance with the latest IET wiring regulations (formally IEE) for the UK or in accordance with all applicable regulations and laws in the country in which it is being installed.
- Switch OFF power at the mains before installing the product.
- Always disconnect or switch off the power supply before making any adjustment to the wiring.
- Observe the operating temperature of the product: 0°C to +40°C.
- Limited 3 Year Warranty. This LED Remote control and Receiver is for indoor use only. Improper installation, abuse or miss-powering of the remote control and receiver or failure to use the remote control and receiver for its intended use will void the warranty. Proof of purchase is required for all returns. Your statutory rights remain unaffected.

Please see [www.integral-LED.com/warranty](http://www.integral-LED.com/warranty).

Questions? Please contact your supplier or see [www.integral-LED.com](http://www.integral-LED.com)

## 1. Introduction

### INTRODUCTION

The Integral LED RGB Colour Changing Remote Control and Receiver is designed to work with the Integral LED RGB Colour Strip. You will be able to change the colour of the strip to different colour modes changing the mood and look of your space instantly. You can also dim the strip to your ideal level. The strip can also switch between different colour modes on a continuous basis to add excitement.

## 2. Parameter

### Receiver:

- Power Input: DC12V~DC24V
- Max Current Load: Max 15A, 5Ax3CH
- Max Output Power: 180W(12V) / 360W(24V)
- IP Rating: IP20
- Working Temp.: 0°C~40°C
- Dimensions: L145xW46.5xH16(mm)
- Weight (N.W.): 110g

**Remote:**

- Output: RF signal
- Working Voltage: 4.5V  
(3 x AAA battery / Not included)
- Working Frequency: 868/915/434MHz
- Remote Distance: 20-30 metres
- IP Rating: IP20

- Working Temp.: 0°C~40°C
- Relative humidity: 8%~80%
- Remote Dimensions: L120×W48×H17.6(mm)
- Weight(N.W.): 70g

**Total Weight (G.W.): 185g**

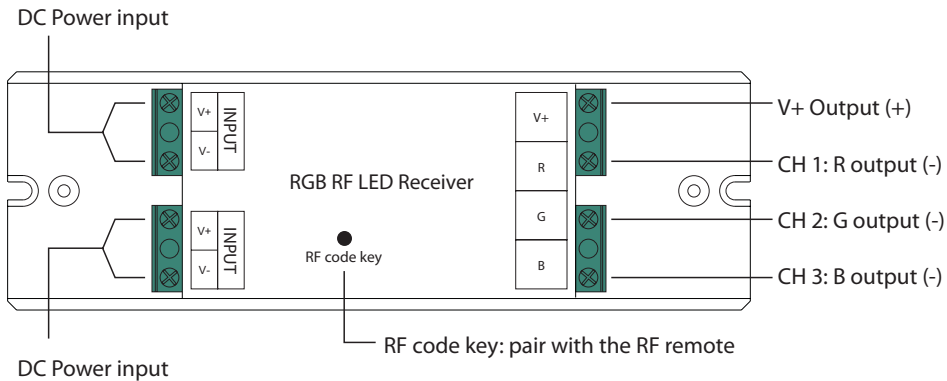
**3. Operating Instruction for Receiver**

The Remote control has been matched to the receiver before leaving the factory, if deleted accidentally you can restore the matching as follows.

**RF Code Key:** Switch on the remote. And short press the RF Code Key on the receiver, then immediately touch the colour wheel on the remote. When the LED strips connected to the receiver flicker, the remote and receiver are now matched and activated.

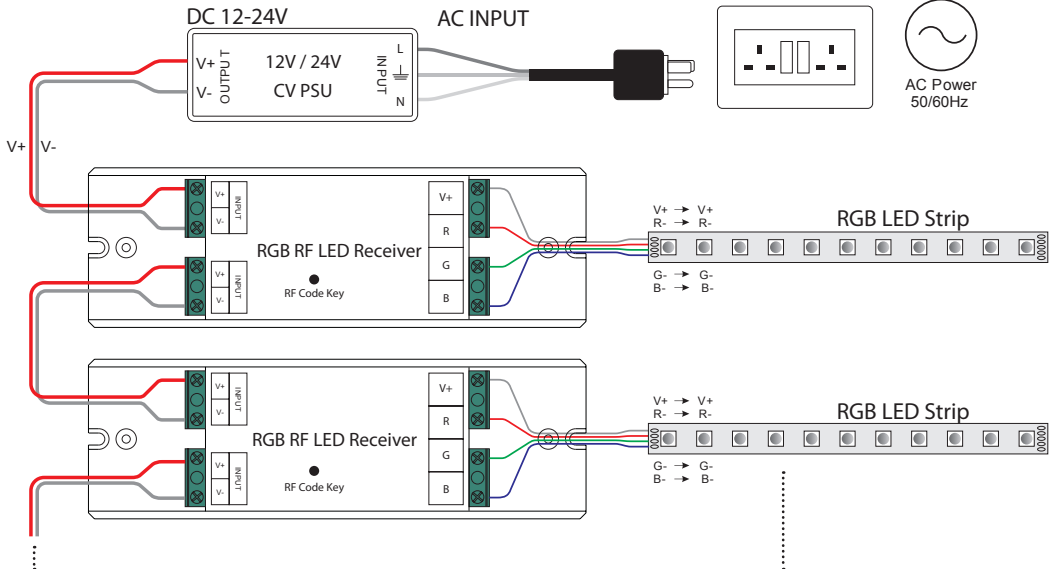
**Note:** One receiver can be matched to up to 8 remote controls.  
Multiple receivers can be matched to one remote.

**Cancel the matching:** Press RF Code Key on the receiver for more than 3 seconds until the LED strips connected to the receiver flicker.



## 4. Wiring Diagram

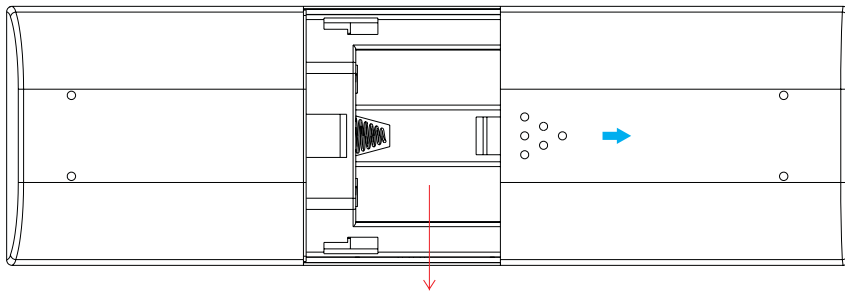
RGB Control



Please make sure you connect the strip to receiver correctly, indicated as following table.

Receiver to strip	
mark on Receiver	mark on Strip
V+	V+
R	R
G	G
B	B

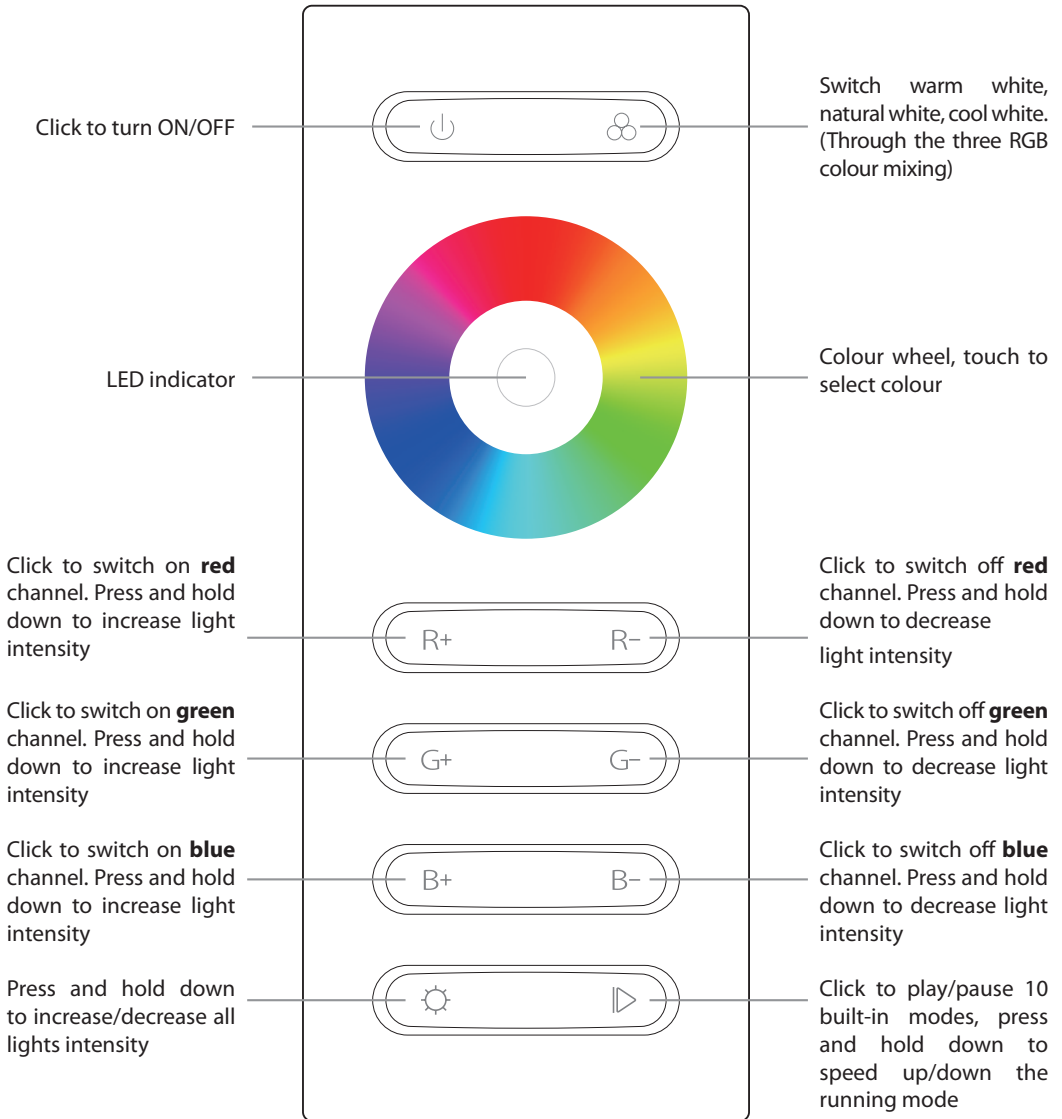
## 5. Operating Instruction for Remote Control



4.5V(3xAAA battery, not included)

**Back of the remote**

## Front of the remote



All Trademarks Acknowledged

Integral LED is a division of Integral Memory plc  
London NW10 0UF