

integral LED

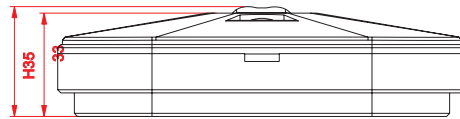
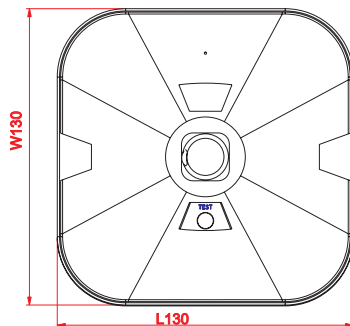


INSTALLATION INSTRUCTIONS

for Integral NON-MAINTAINED Surface Mount Emergency Downlight 3 Year Warranty

Product code	Function	Duration	Housing colour	Power
IEMDL061	Non-maintained for open areas	3hrs	white	3W
IEMDL062	Non-maintained for corridors	3hrs	white	3W
IEMDL063	Non-maintained for open areas	3hrs	white	1W
IEMDL064	Non-maintained for corridors	3hrs	white	1W
IEMDL067	Non-maintained for open areas	3hrs	black	3W
IEMDL068	Non-maintained for corridors	3hrs	black	3W

Dimensions



Supplied Accessories



Optional Batten Mount Accessory: ILEMAB065



Thank you for purchasing an INTEGRAL LED product. When installed correctly this unit will provide years of service.
For support or warranty information please see integral-led.com.

Important Details – Please read prior to installation

1. This product must be installed by a qualified electrician in accordance with instructions provided and in compliance with recognised electrical and safety regulations relevant to the country in which it is being installed.
2. The product and its associated control gear are designed to operate on 220-240V AC 50Hz.
3. This product is for indoor use only and it should not be covered with insulation material.
4. This emergency product contains a LiFePO4 battery.
5. The downlight features a test button. Pressing the test button puts the light into emergency mode - illuminated.
6. A permanent live connection is required for this emergency product to operate normally.
7. This product is an IP44, Class II device.
8. To maintain the life and integrity of the battery, this product should be installed within 6 months of purchase. Otherwise we advise that the product is connected to a live mains supply to receive a full 24hour charge. This should be repeated every six months until installation.

INSTALLATION: DANGER!

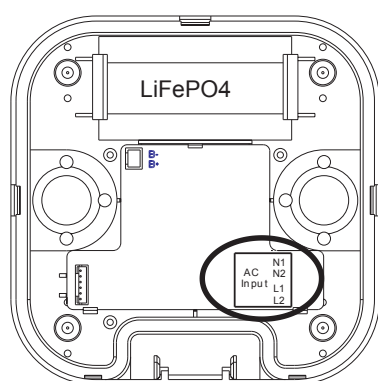
Please ensure you isolate live supply before you undertake any work on the emergency fitting.

Important Details – Please read prior to installation

Installation Instructions

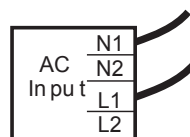
1. Ensure the AC/mains power is not connected and cannot be reconnected during installation.
2. Clear a position for the LED downlight to be placed on the ceiling.
3. Remove the downlight from the packaging box.
4. Follow diagram in Figure 1 and cable legend below:
 - a. Brown: permanent LIVE
 - b. Blue: neutral
 - c. Yellow/green: earth
5. Mark the installation date on the battery pack label.
6. Install using one of the options described below.
7. Switch on the mains power supply.
8. A green LED indicator light will be present to show that the batteries are charging. Full charge can take up to 24 hours. On first installation, ensure fittings have received a full 24 hours charge before testing.
9. The test button on the front of the unit can be pressed to illuminate the light to test operation of the battery.

Electrical connections



AC wires could be connected as following options:

- 1.N1+L 1
- 2.N2+L 1
- 3.N2+L 2
- 4.N1+L2



- 1.N1+L1 In N2+L2 Out
- 2.N1+L2 In N1+L2 Out

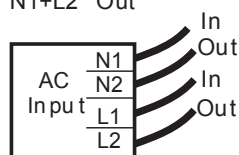


Figure 1 Electrical connection

Open the Unit

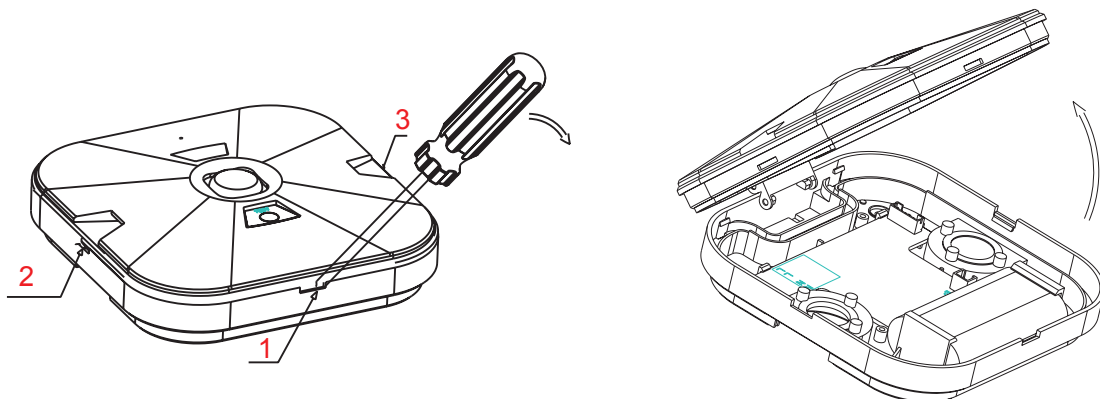


Figure 2 Opening the unit

Conduit connection

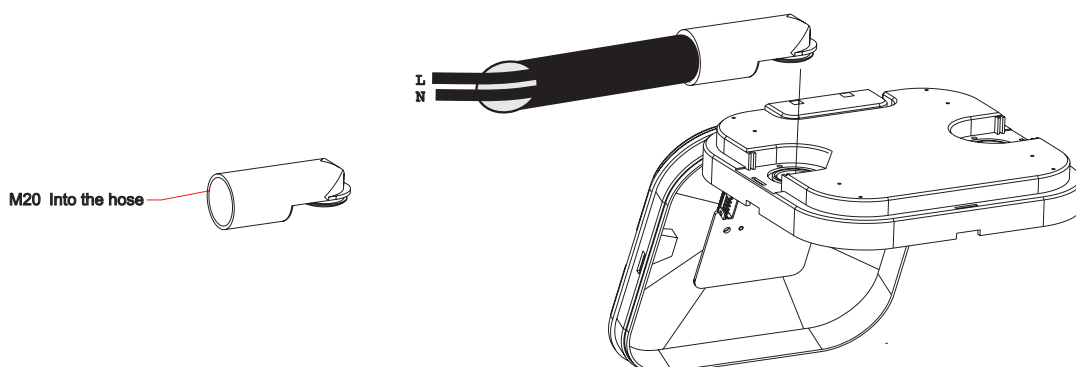


Figure 3 Batten Mount

Backwired connection

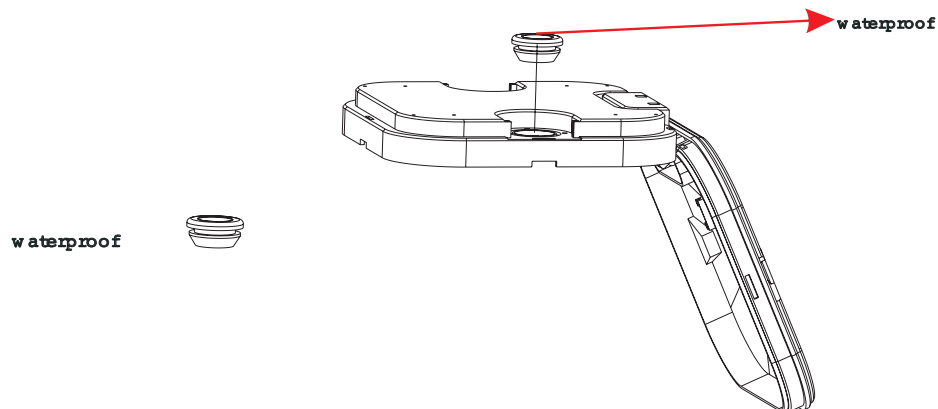


Figure 4 Back-wired connection

Surface Mount and wiring

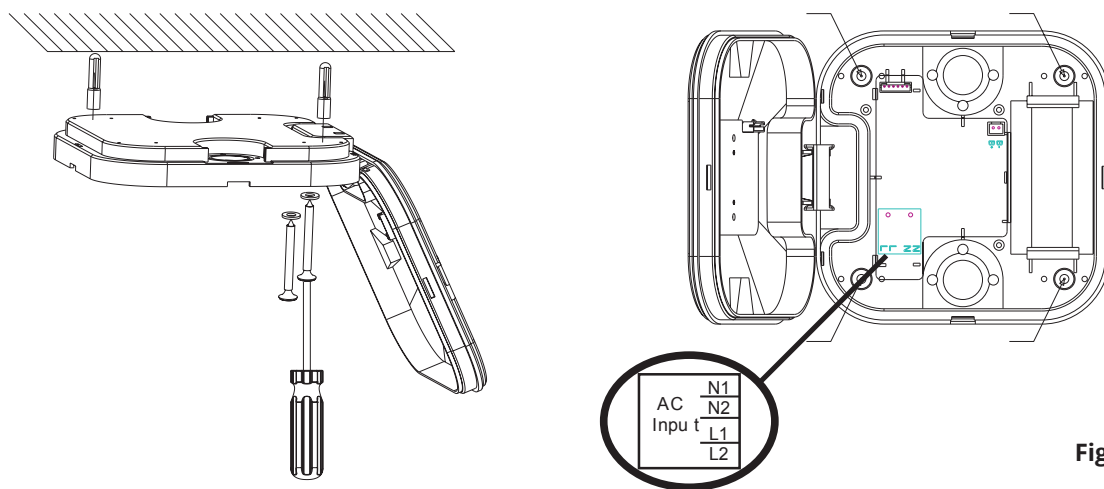


Figure 5 Surface mounting

Batten connection

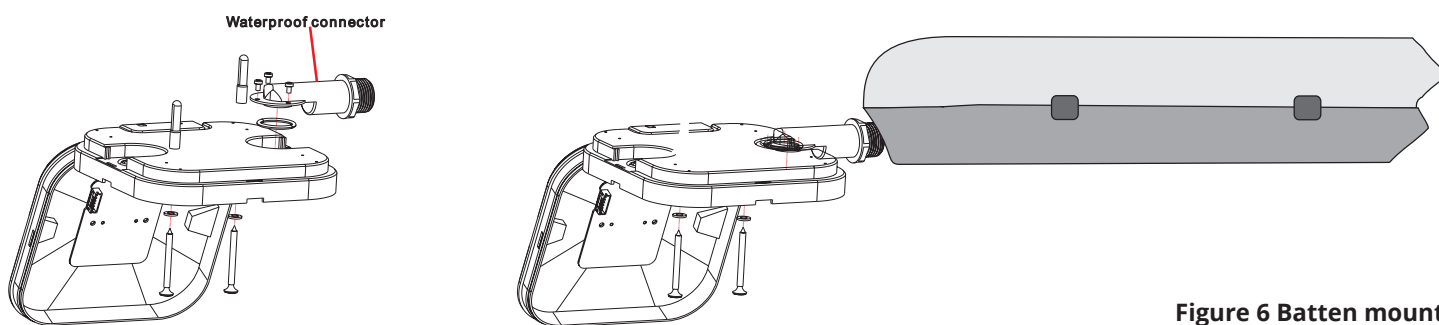


Figure 6 Batten mount

Close Housing

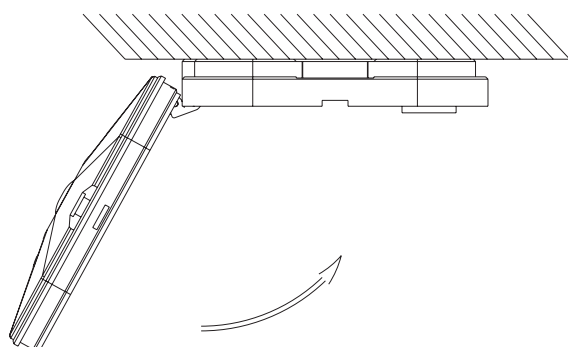


Figure 7 Close the housing

When powered by a constant mains supply, the battery will be constantly charged whether or not lamp the lamp is illuminated.

On failure of the constant mains supply, the fitting will switch automatically from battery charging to battery discharge powering the LED downlight whether or not the luminaire was illuminated before the power failure.

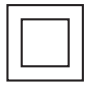




For replacement unit please contact Integral-LED.com

Test Schedule

Test Schedule to record monthly functional test and yearly 3 hour duration test. All testing should be planned and incorporated as part of a managed programme with appropriate risk assessment to ensure operational emergency function is not compromised during testing.

Panel Ref/Location 	In case of difficulty, contact the Installation Engineers: tel.					
Full Recharge Time 24 Hours			Duration 3 Hours			
TEST RECORD						
	Year 1		Year 2		Year 3	
Monthly Test	Signed	Date	Signed	Date	Signed	Date
Functional						
Functional						
Functional						
Functional						
Functional						
Functional						
Functional						
Functional						
Functional						
Functional						
Functional						
Functional						
Three Hour						

The battery should be reviewed for replacement after 4 years of installation.

This luminaire is designed according to BS EN 60598-2-22





All Trademarks Acknowledged

Integral LED is a division of Integral Memory
Unit 6 Iron Bridge Close, Iron Bridge Business Park
London NW10 0UF, UK