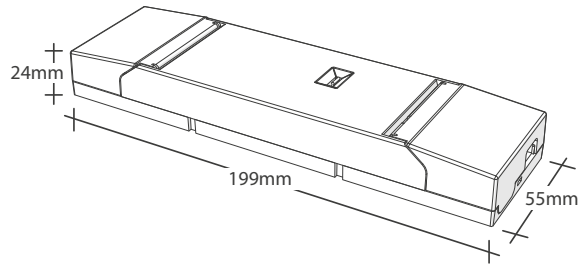


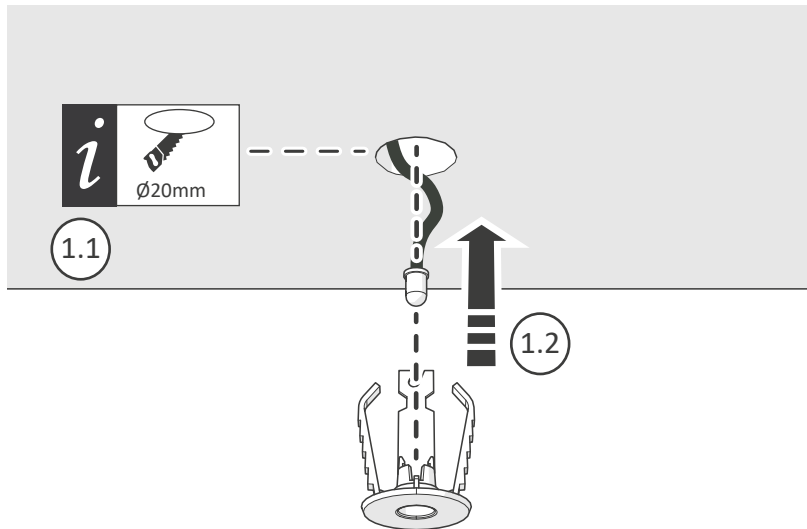
integral™ LED

INSTALLATION INSTRUCTIONS
INSTRUCTIONS D'INSTALLATION
INSTALLATIE INSTRUCTIES
INSTRUCCIONES DE INSTALACIÓN
INSTALLATIONSANLEITUNG
INSTRUKCJE INSTALACJI
INSTRUÇÕES DE INSTALAÇÃO

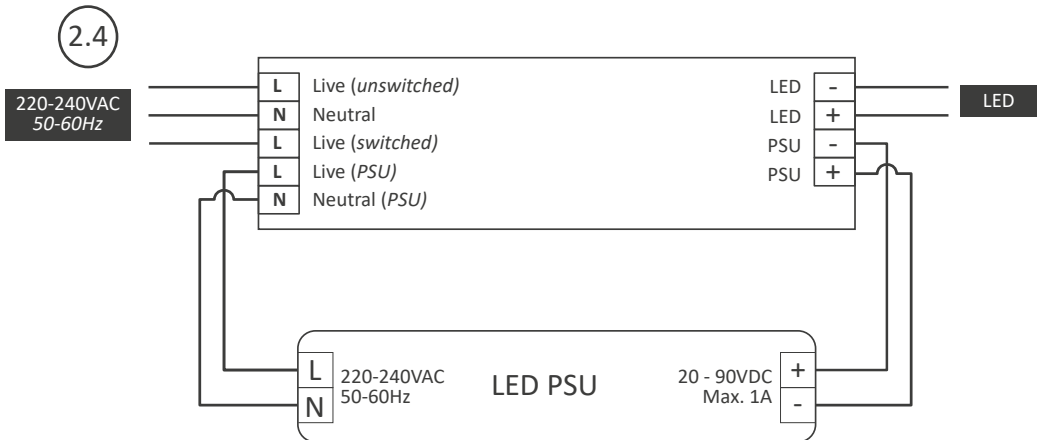
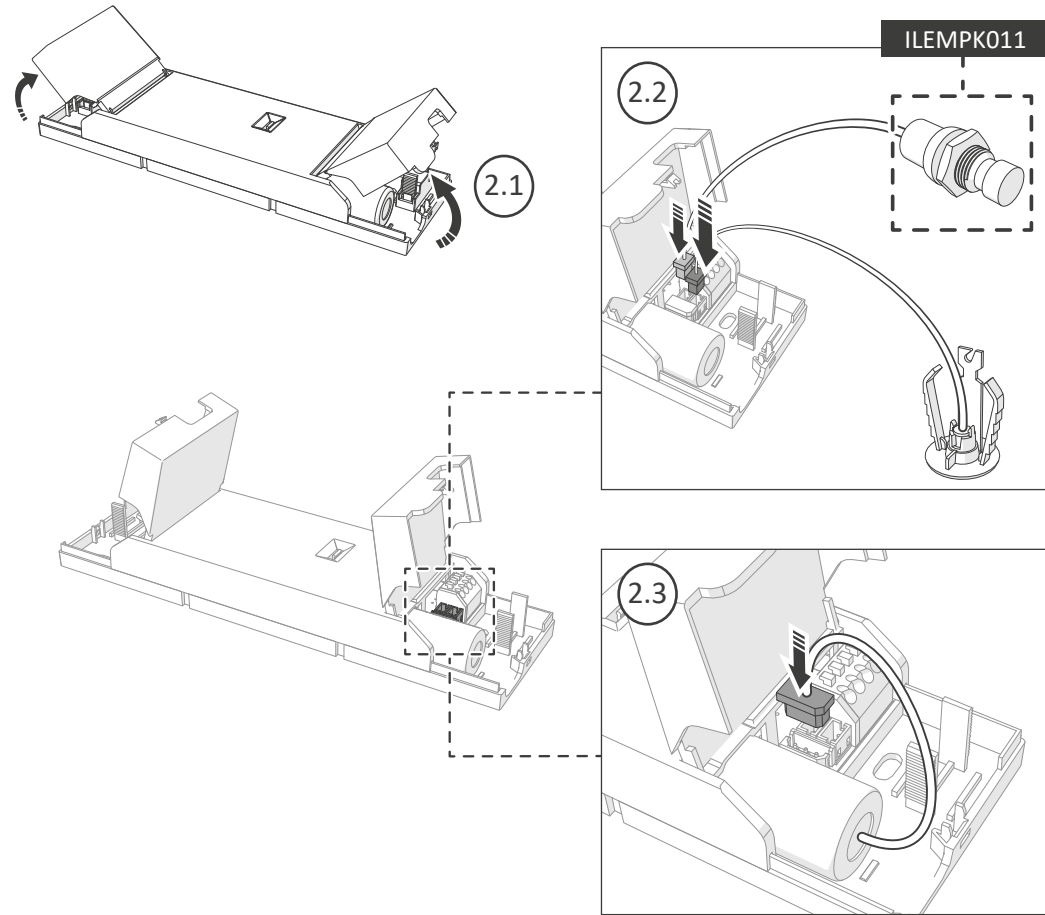
Emergency Kit 20-90VDC

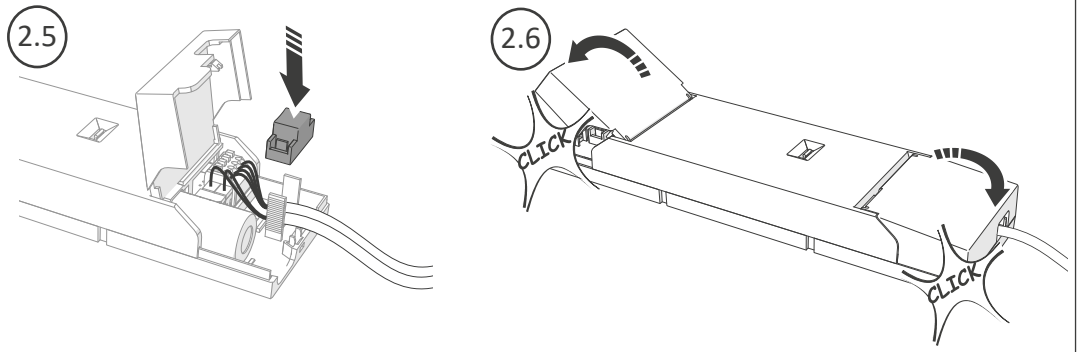


1 Indicator LED / Indicateur LED / Indicator-LED / LED indicador / Anzeige-LED / Wskaźnik LED / LED indicador / Indicare LED



2 Connection/ Lien / Verbinding / Conexión / Verbindung / Połączenie / Conexão / Conessione





i Additional Settings / Paramètres additionnels / Aanvullende instellingen / Ajustes adicionales / Zusätzliche Einstellungen / Dodatkowe ustawienia / Configurações adicionais / Altre impostazioni

MANUAL TEST

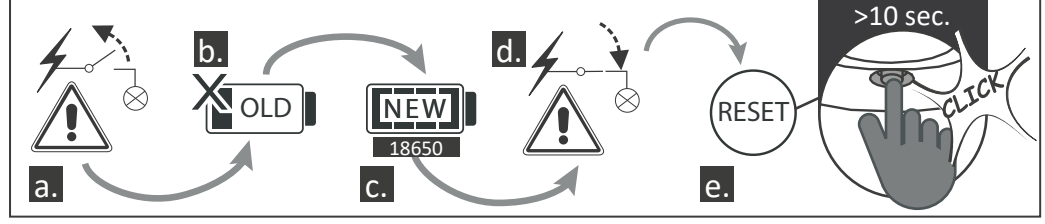
A. 1-3 sec. = 5 sec. EM test

B. >10 sec. = RESET

3 Indicator LED / Indicateur LED / Indicator-LED / LED indicador / Anzeige-LED / Wskaźnik LED / LED indicador / Indicatore LED

LED	LED Colour	Status
	GREEN / Vert / Groente / Verde / Grün / Zielony	
0.25 sec.	GREEN / Vert / Groente / Verde / Grün / Zielony	On / Off TEST
1 sec.	GREEN / Vert / Groente / Verde / Grün / Zielony	TEST
	RED / Rouge / Rood / Rojo / Rot / Czerwony / Vermelho / Rosso	OR
0.25 sec.	RED / Rouge / Rood / Rojo / Rot / Czerwony / Vermelho / Rosso	
1 sec.	RED / Rouge / Rood / Rojo / Rot / Czerwony / Vermelho / Rosso	OR
	GREEN / Vert / Groente / Verde / Grün / Zielony + RED / Rouge / Rood / Rojo / Rot / Czerwony / Vermelho / Rosso	OR

Replace Battery / Remplacer la batterie / Vervang de batterij / Reemplazar la batería / Batterie austauschen / Wymień baterię / Substitua a bateria / Sostituire la batteria **[3.2V LiFePO4 1W / 1500mA]**



Ref / Location	In case of difficulty, contact the Installation Engineers:					
Full Recharge Time 24 Hours			Duration 3 Hours			
TEST RECORD						
	Year 1		Year 2		Year 3	
Monthly Test	Signed	Date	Signed	Date	Signed	Date
Functional						
Functional						
Functional						
Functional						
Functional						
Functional						
Functional						
Functional						
Functional						
Functional						
Functional						
Functional						
Three Hour						

Warranty/ Technical & contact information are all available at www.integral-led.com



Integral LED is a division of Integral Memory plc:
Unit 6, Iron Bridge Close, Iron Bridge Business Park,
London, NW10 0UF, UK
Integral Europe BV, 2801 DG, NL