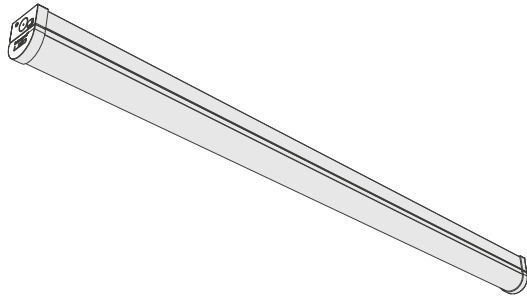


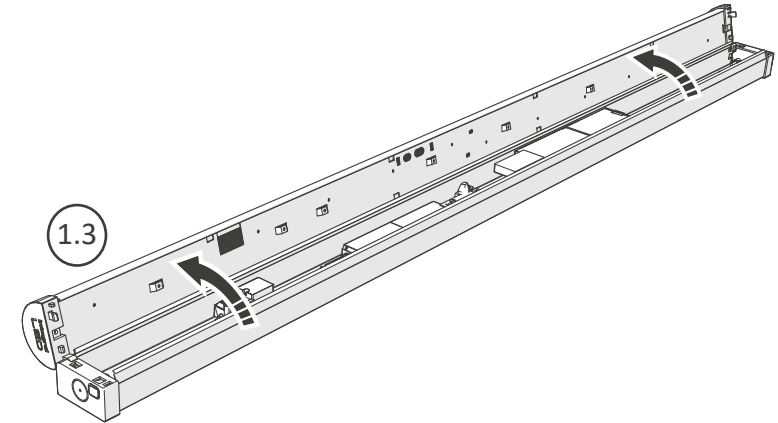
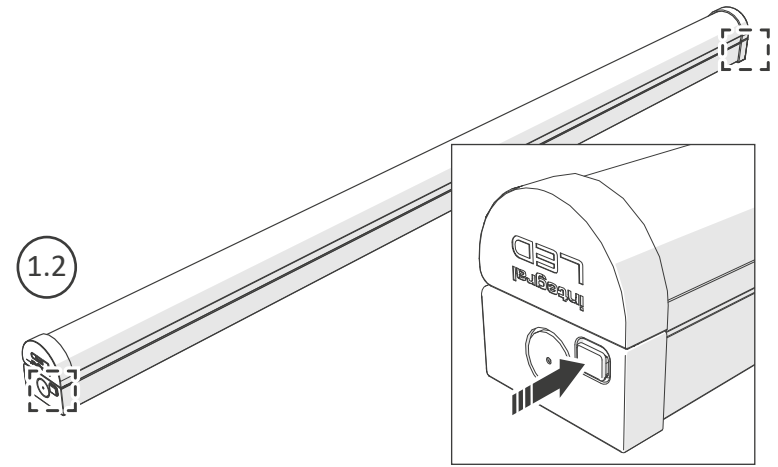
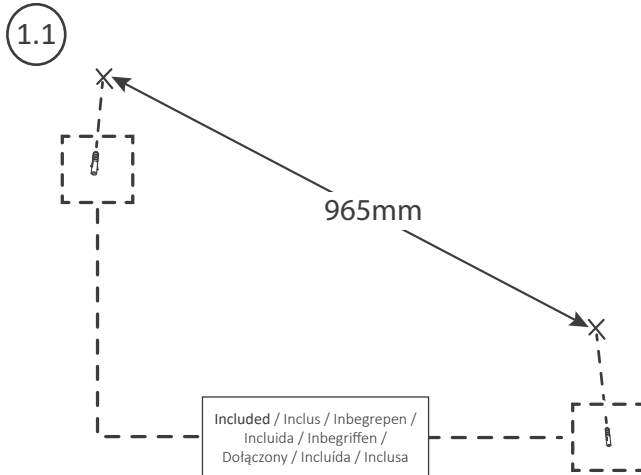
integral™ LED

INSTALLATION INSTRUCTIONS
INSTRUCTIONS D'INSTALLATION
INSTALLATIE INSTRUCTIES
INSTRUCCIONES DE INSTALACIÓN
INSTALLATIONSANLEITUNG
INSTRUKCJE INSTALACJI
INSTRUÇÕES DE INSTALAÇÃO

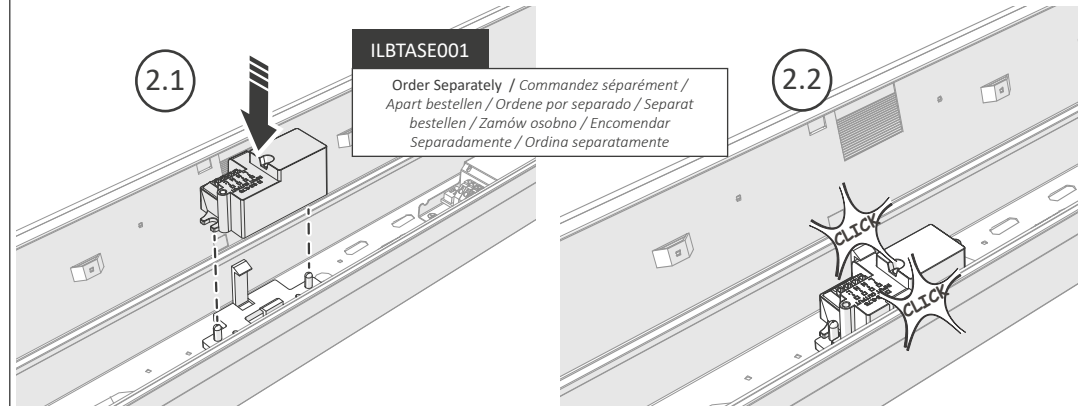
Lightspan + Pro



1 Installation / Installation / Installatie / Instalación / Installation / Instalacja / Instalação



2 Installation - Microwave detector / Installation - détecteur de micro-ondes / Installatie - magnetron detector / Instalación - detector de microondas / Installation - mikrowellendetektor / Instalacja - detektor mikrofalowy / Instalação - detector de microondas / Installazione - rilevatore di microonde



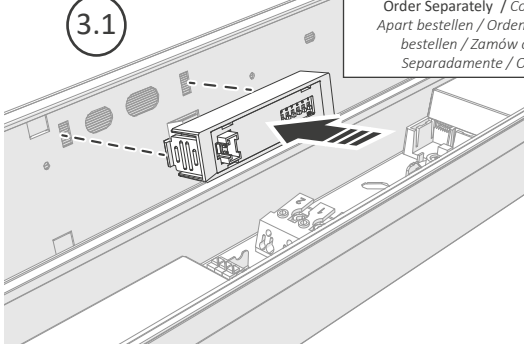
3

Installation - PWM / Installation - PWM / Installatie - PWM / Instalación - PWM / Installation - PWM /
Instalacja - PWM / Instalação - PWM / Installazione - PWM

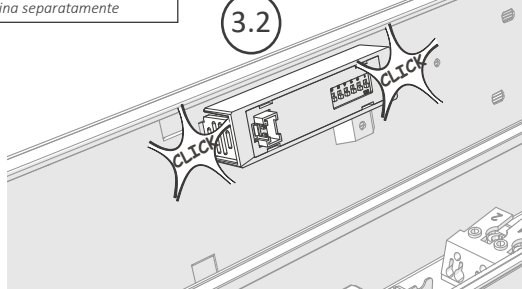
ILBTASE002

Order Separately / Commandez séparément /
Apart bestellen / Ordene por separado / Separat
bestellen / Zamów osobno / Encomendar
Separadamente / Ordina separatamente

3.1



3.2



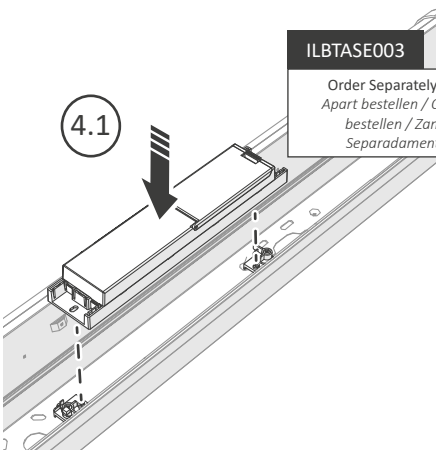
4

Installation - emergency module / Installation - module d'urgence / Installatie - noodmodule / Instalación - módulo
de emergencia / Installation - Notfallmodul / Instalacja - moduł awaryjny / Instalação - módulo de emergência /
Installazione - modulo di emergenza

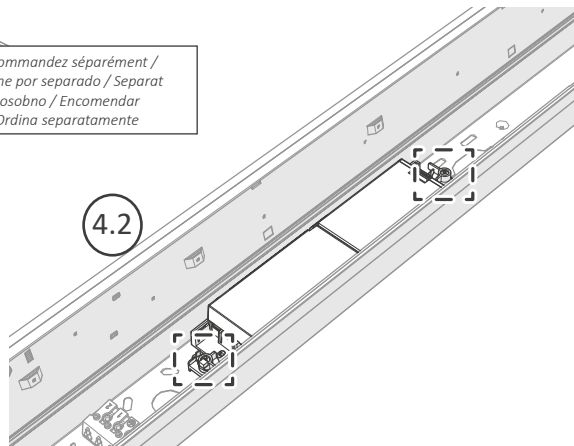
ILBTASE003

Order Separately / Commandez séparément /
Apart bestellen / Ordene por separado / Separat
bestellen / Zamów osobno / Encomendar
Separadamente / Ordina separatamente

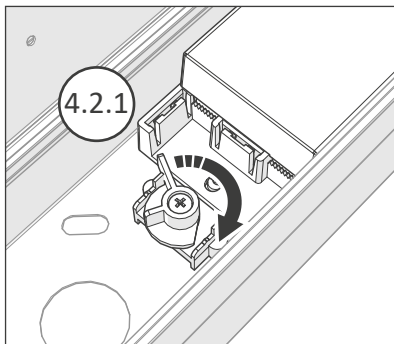
4.1



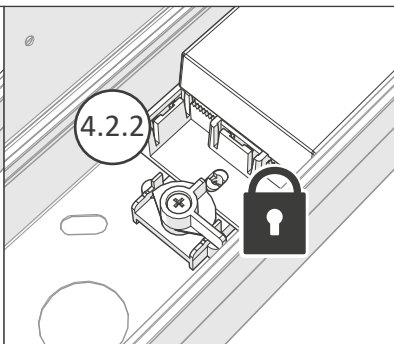
4.2



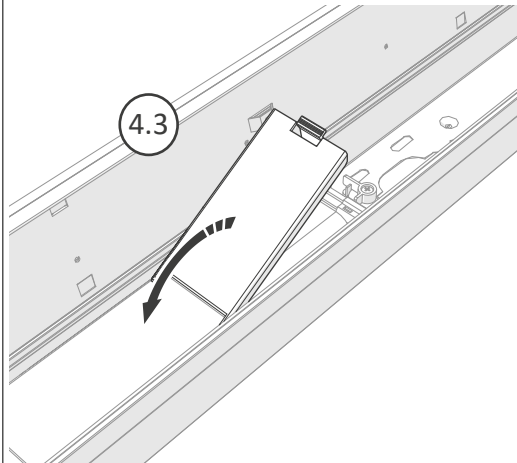
4.2.1



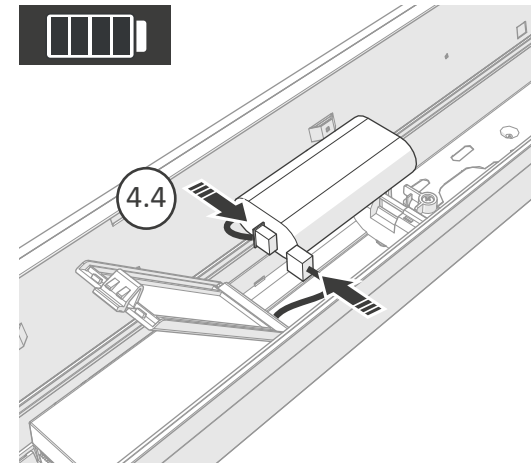
4.2.2



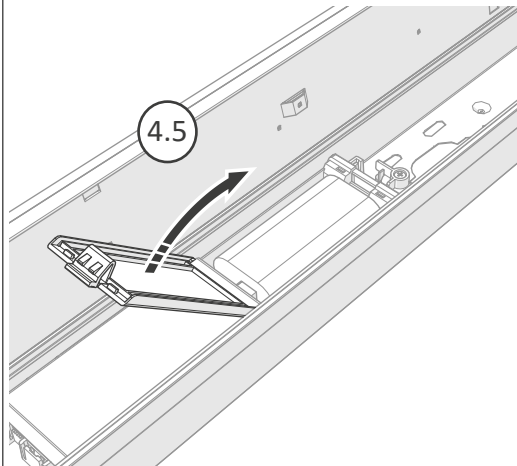
4.3



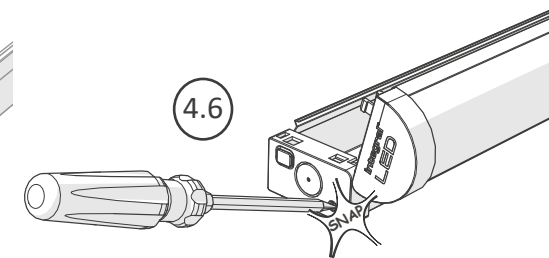
4.4



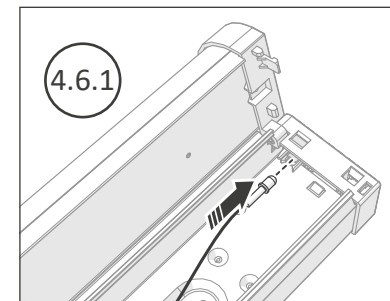
4.5



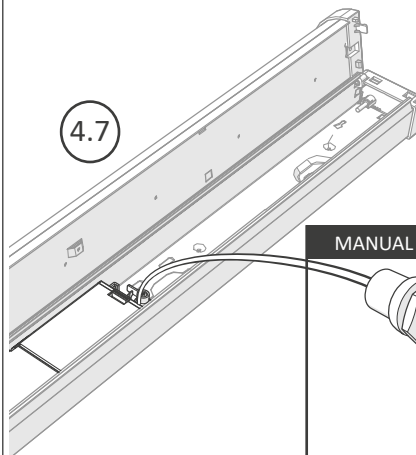
4.6



4.6.1



4.7

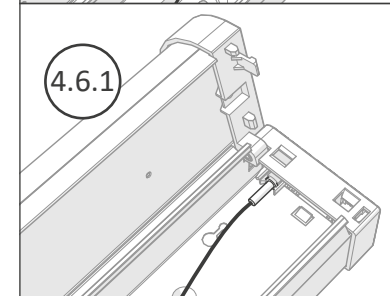


MANUAL TEST

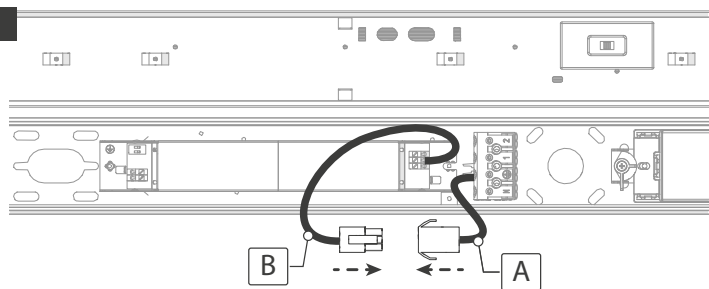


A. 1-3 sec. = 5 sec. EM test
B. >10 sec. = RESET

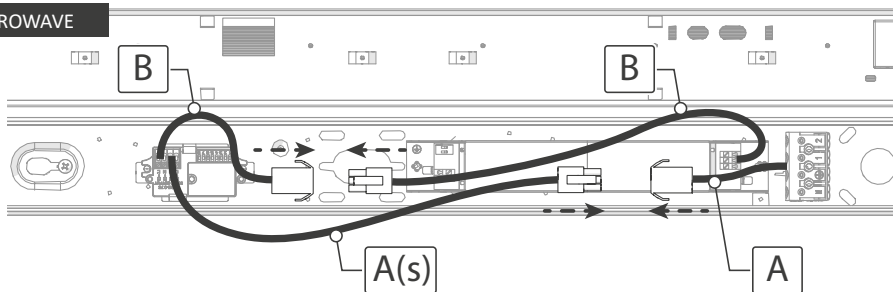
4.6.1



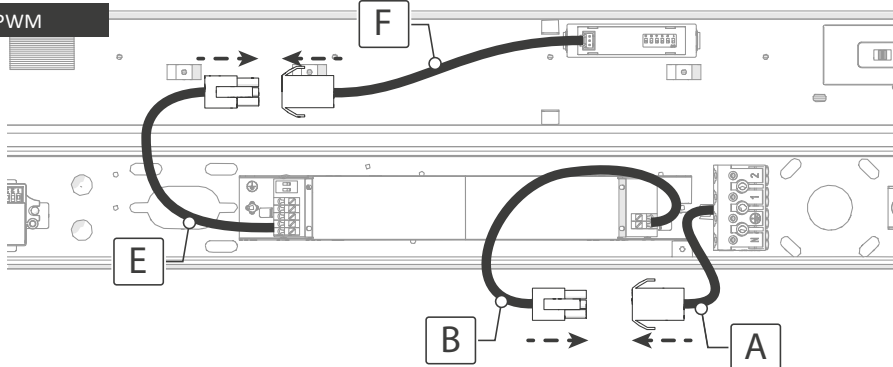
STANDARD



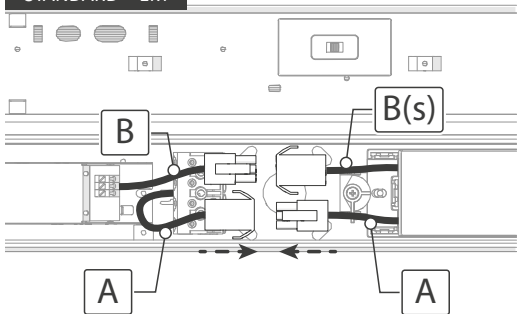
MICROWAVE



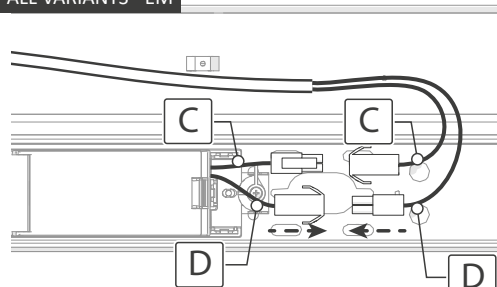
PWM



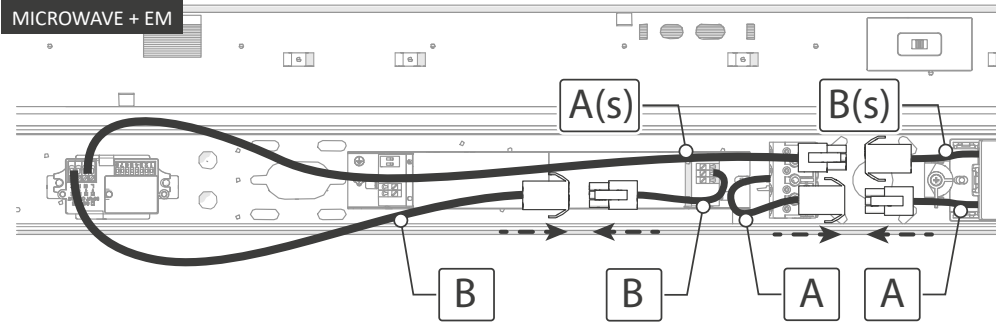
STANDARD + EM



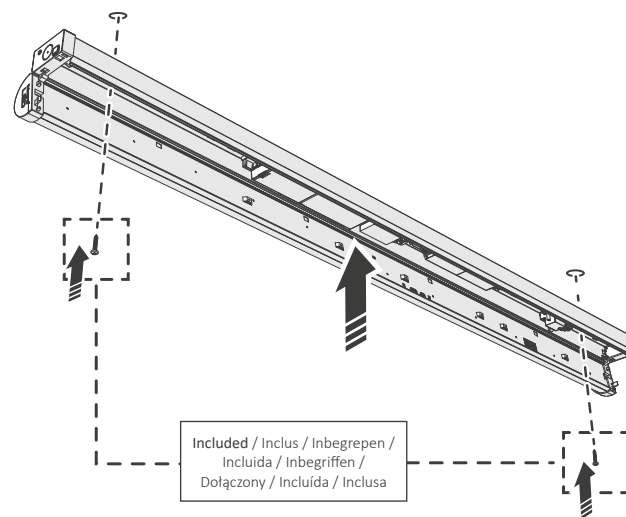
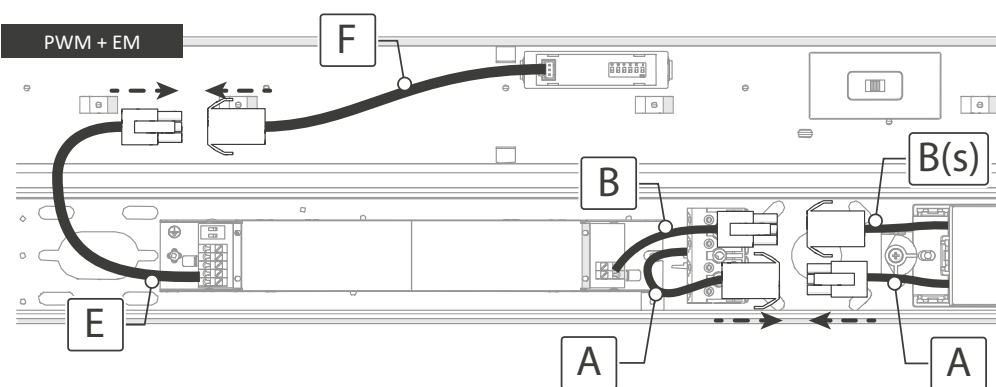
ALL VARIANTS - EM



MICROWAVE + EM



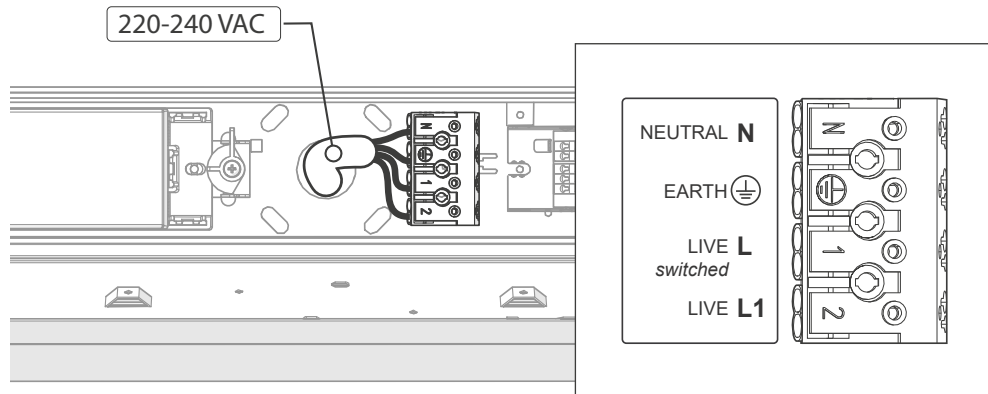
PWM + EM



Included / Inklus / Inbegrepen /
Incluida / Inbegriffen /
Dołączony / Incluída / Inclusa

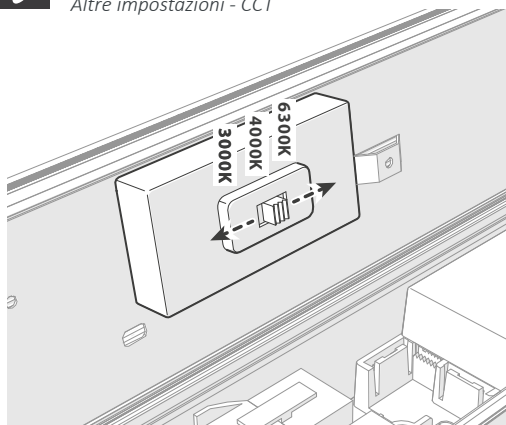
7

Connection / Lien / Verbinding / Conexión / Verbindung / Połączenie / Conexão / Connessione



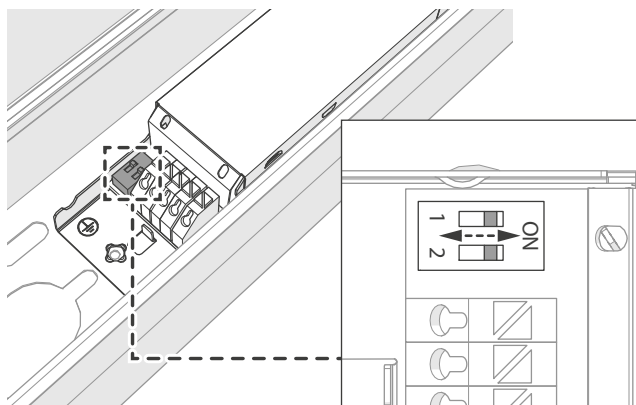
i

Additional Settings - CCT / Paramètres additionnels - CCT / Aanvullende instellingen - CCT / Ajustes adicionales - CCT / Zusätzliche Einstellungen - CCT / Dodatkowe ustawienia - CCT / Configurações adicionais - CCT / Altre impostazioni - CCT



i

Additional Settings - Power / Paramètres additionnels - Pouvoir / Aanvullende instellingen - Stroom / Ajustes adicionales - Fuerza / Zusätzliche Einstellungen - Leistung / Dodatkowe ustawienia - Moc / Configurações adicionais - Poder / Altre impostazioni - Energia

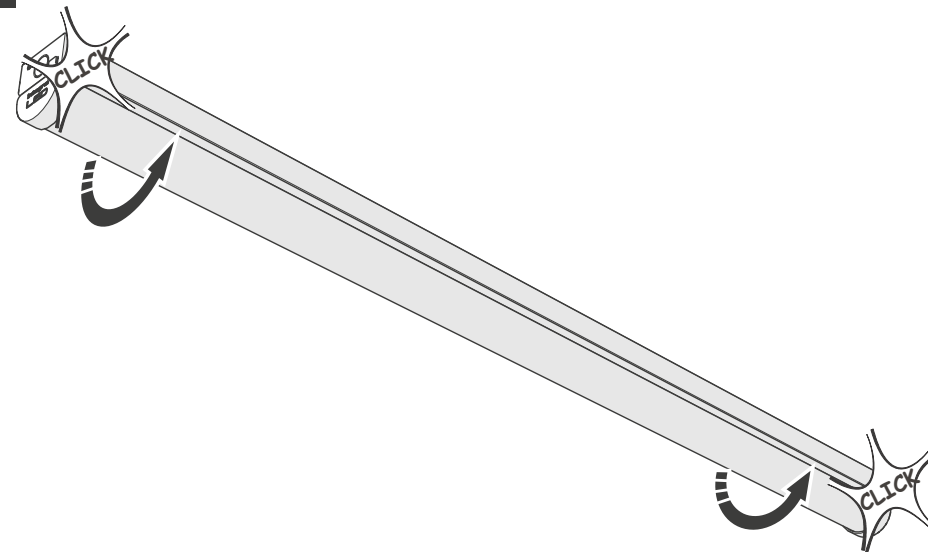


4 FT.	Power (W)	Output (mA)	1	2
	22	200	OFF	OFF
27	250	OFF	ON	
34	300	ON	OFF	
40	350	ON	ON	

5 FT.	Power (W)	Output (mA)	1	2
	30	200	OFF	OFF
35	250	OFF	ON	
42	300	ON	OFF	
52	350	ON	ON	

6 FT.	Power (W)	Output (mA)	1	2
	36	200	OFF	OFF
42	250	OFF	ON	
50	300	ON	OFF	
63	350	ON	ON	

8

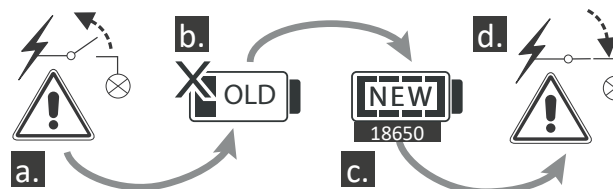


9

Indicator LED / Indicateur LED / Indicator-LED / LED indicador / Anzeige-LED / Wskaźnik LED / LED indicador / Indicatore LED

LED	LED Colour	Status
	GREEN / Vert / Groente / Verde / Grün / Zielony	
0.25 sec. 0.25 sec. 0.25 sec.	GREEN / Vert / Groente / Verde / Grün / Zielony	On / Off TEST
1 sec. 1 sec. 1 sec.	GREEN / Vert / Groente / Verde / Grün / Zielony	TEST
	RED / Rouge / Rood / Rojo / Rot / Czerwony / Vermelho / Rosso	OR
0.25 sec. 0.25 sec. 0.25 sec.	RED / Rouge / Rood / Rojo / Rot / Czerwony / Vermelho / Rosso	
1 sec. 1 sec. 1 sec.	RED / Rouge / Rood / Rojo / Rot / Czerwony / Vermelho / Rosso	OR
	GREEN / Vert / Groente / Verde / Grün / Zielony + RED / Rouge / Rood / Rojo / Rot / Czerwony / Vermelho / Rosso	OR

Replace Battery / Remplacer la batterie / Vervang de batterij / Reemplazar la batería / Batterie austauschen / Wymień baterię / Substitua a bateria / Sostituire la batteria [3.2V LiFePO4 1W / 1500mA]



Ref / Location	In case of difficulty, contact the Installation Engineers:
.....

Full Recharge Time 24 Hours	Duration 3 Hours
-----------------------------	------------------

TEST RECORD

Monthly Test	Year 1		Year 2		Year 3	
	Signed	Date	Signed	Date	Signed	Date
Functional						
Functional						
Functional						
Functional						
Functional						
Functional						
Functional						
Functional						
Functional						
Functional						
Functional						
Functional						
Functional						
Three Hour						

