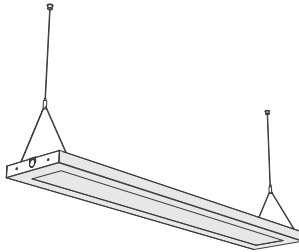


# integral™ LED

INSTALLATION INSTRUCTIONS  
INSTRUCTIONS D'INSTALLATION  
INSTALLATIE INSTRUCTIES  
INSTRUCCIONES DE INSTALACIÓN  
INSTALLATIONSANLEITUNG  
INSTRUKCJE INSTALACJI  
INSTRUÇÕES DE INSTALAÇÃO

Linear Suspended or Surface Mounted Office Fitting

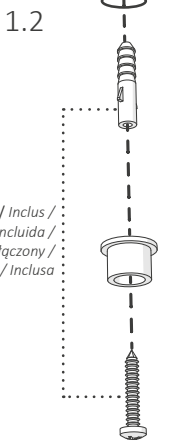
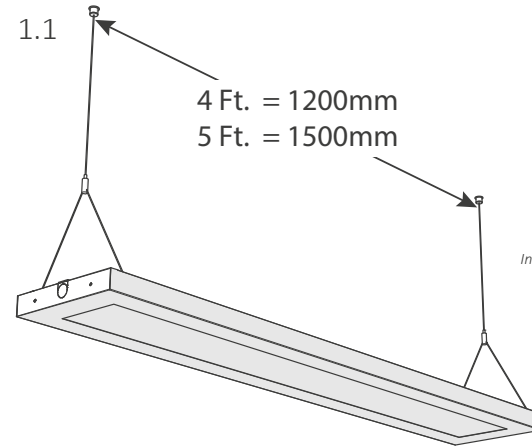


Connection / Lien / Verbinding / Conexión / Verbindung / Połączenie / Conexão / Connessione

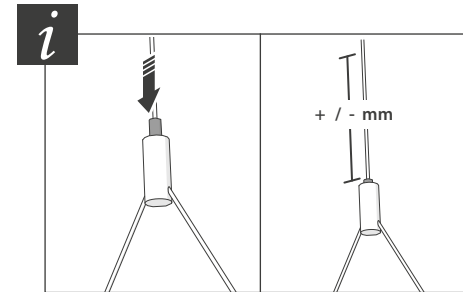
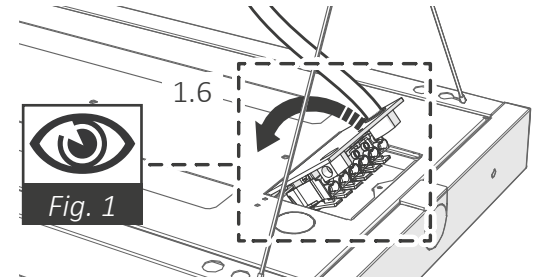
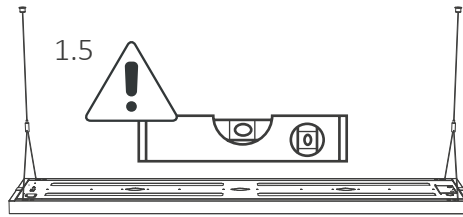
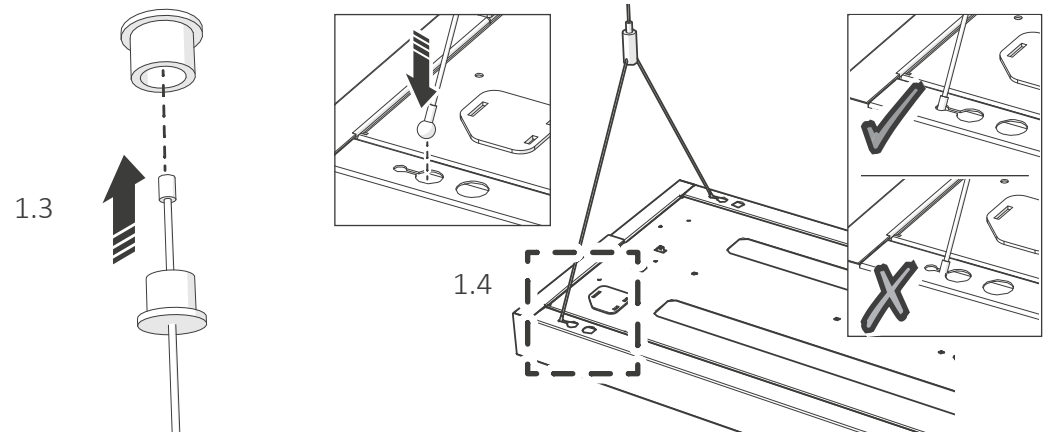
Fig. 1

EMERGENCY	STANDARD	PUSH DIM	DALI
<p>N Neutral</p> <p>⊕ Earth</p> <p>L1 (unswitched) Live</p> <p>L (switched) Live</p>	<p>N Neutral</p> <p>⊕ Earth</p> <p>L Live</p>	<p>P Push Switch</p> <p>V+ Live</p> <p>V- Neutral</p>	<p>D1 DALI 1 (+)</p> <p>D2 DALI 2 (-)</p>

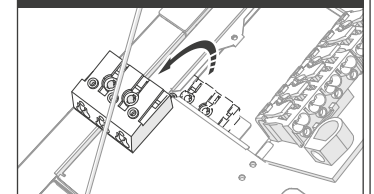
## 1 Suspended Installation / Installation suspendue / Opgeschorte installatie / Instalación suspendida / Unterbrochene Installation / Instalacja zawieszona / Instalação suspensa / Installazione sospesa



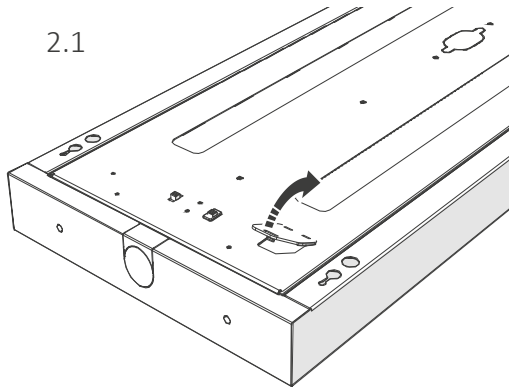
Included / Inclus / Inbegrepen / Includa / Inbegriffen / Dołączony / Incluída / Inclusa



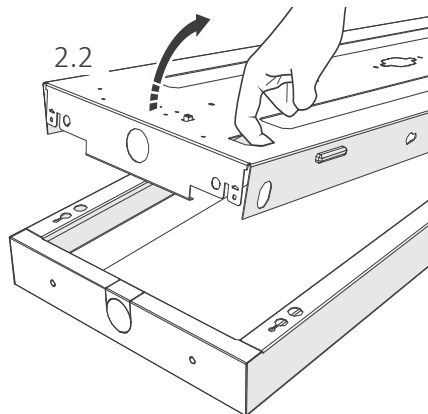
PUSH DIM - Access / Accéder / Toegang / Acceso / Zugang / Dostęp / Accesso / Accesso



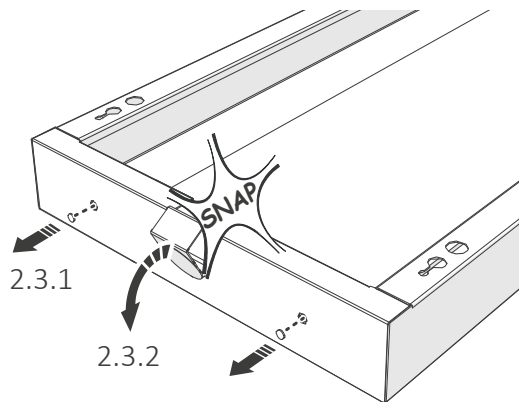
2.1



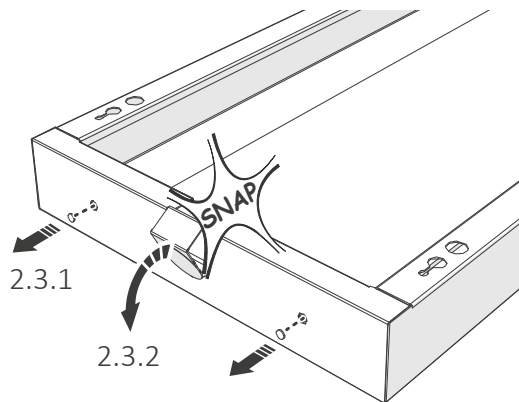
2.2



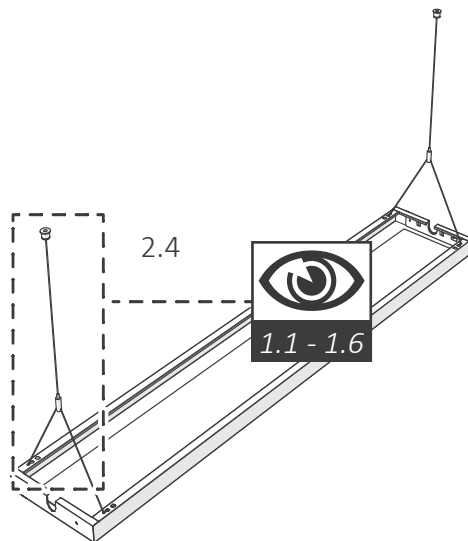
2.3.1



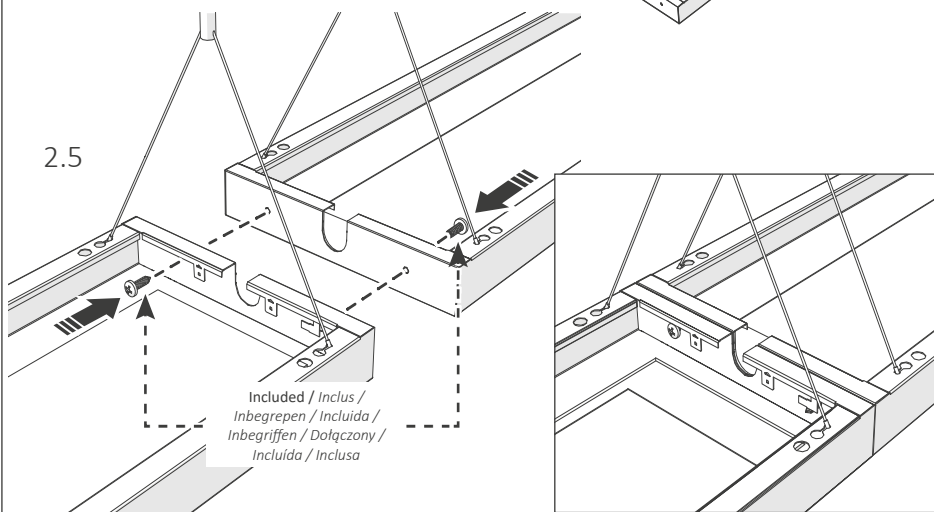
2.3.2



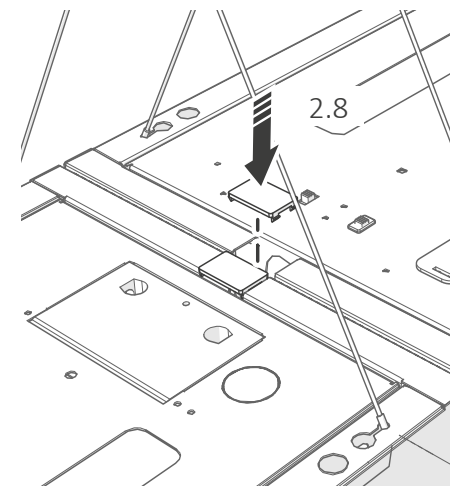
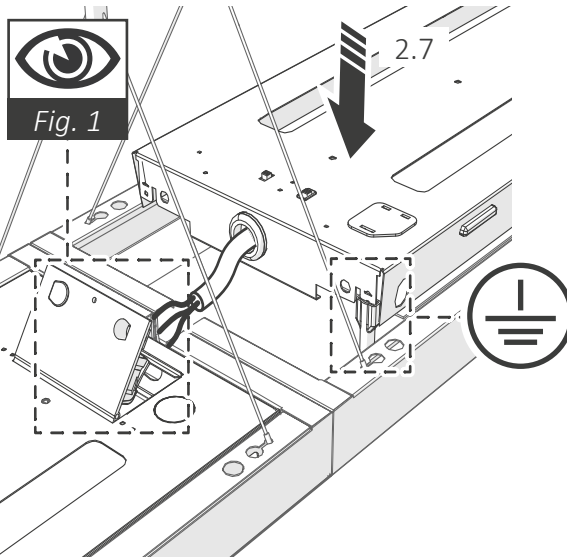
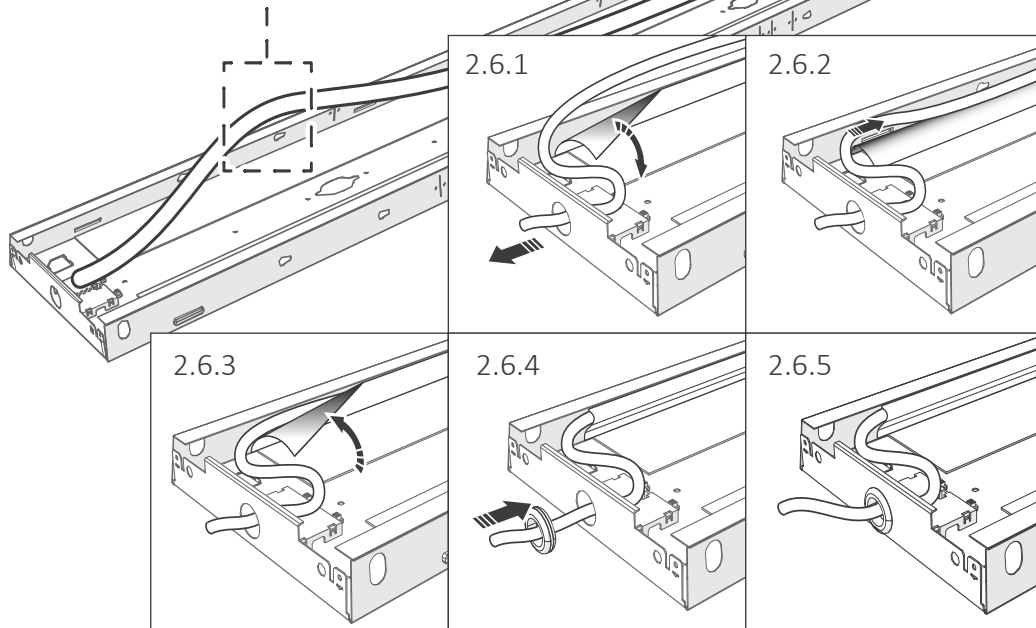
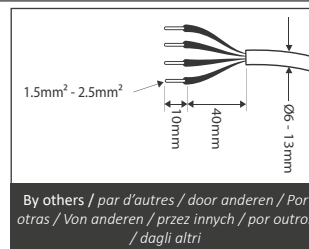
2.4



2.5

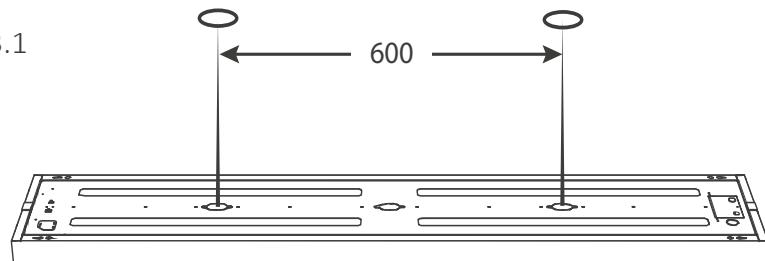


2.6

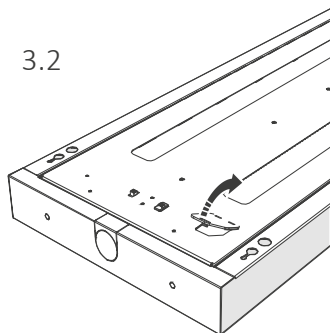


**3****Surface Installation** / *Installation au plafond / Plafond installatie / Instalación de techo / Deckeninstallation / Instalacja sufitowa / Instalação de teto / Installazione a soffitto***Ø4.5 x 30mm**

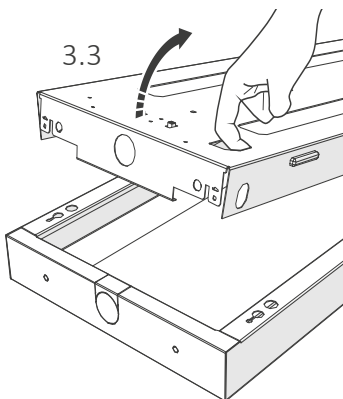
3.1



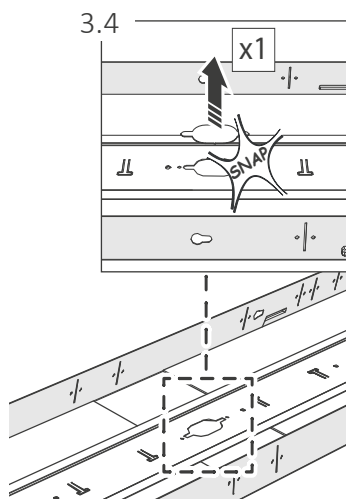
3.2



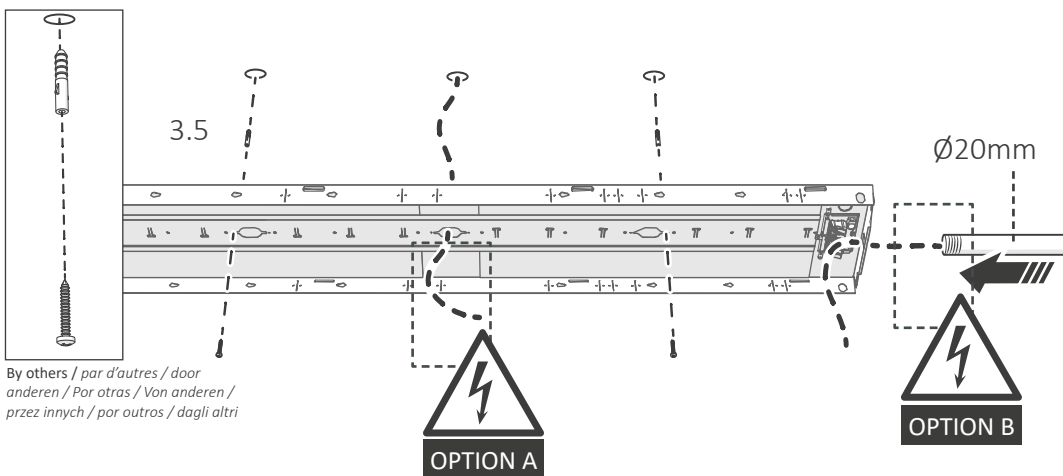
3.3



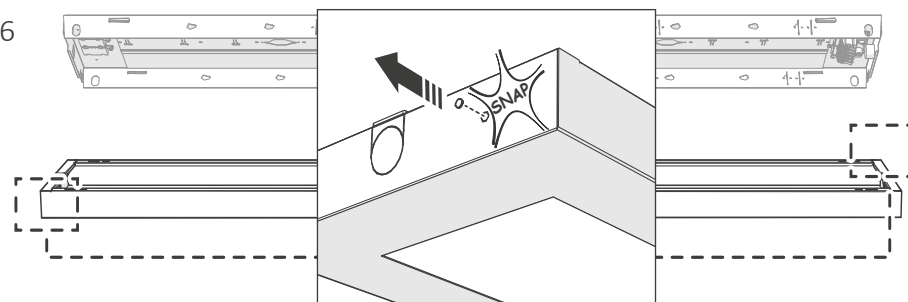
3.4



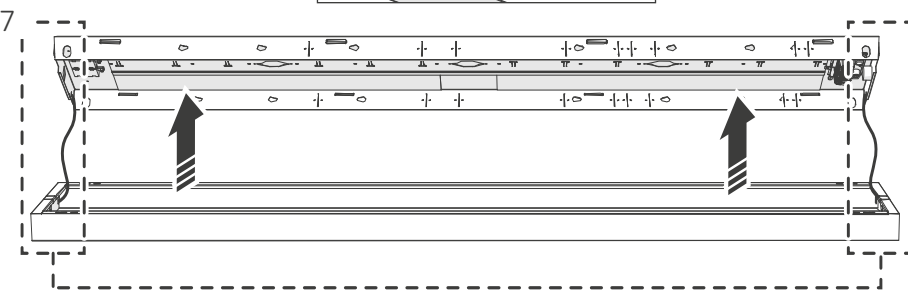
3.5



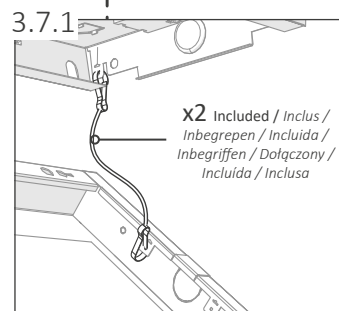
3.6



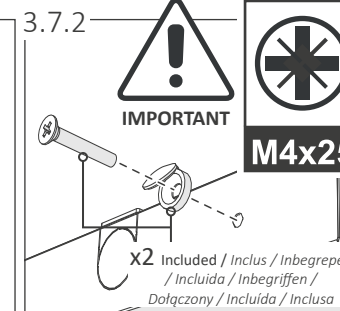
3.7



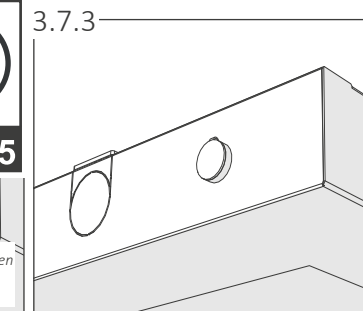
3.7.1



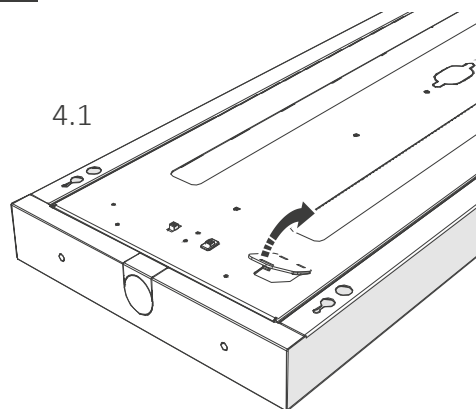
3.7.2



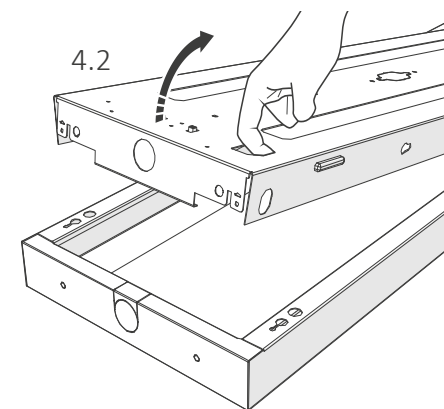
3.7.3

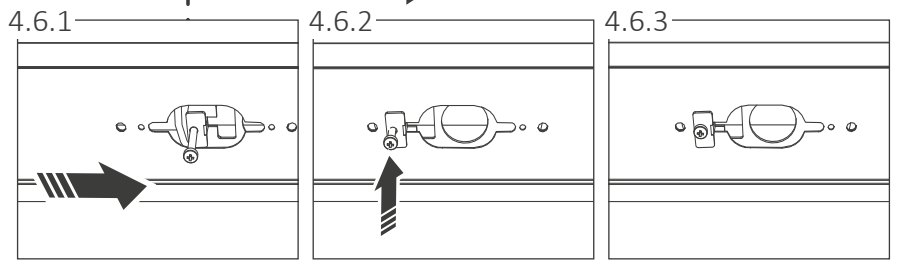
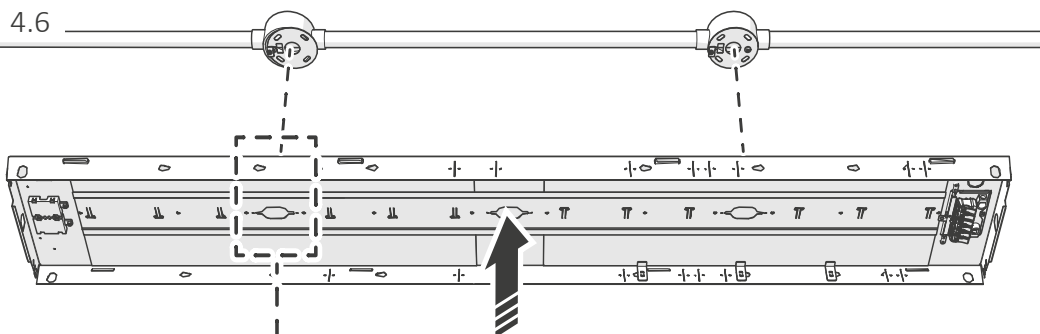
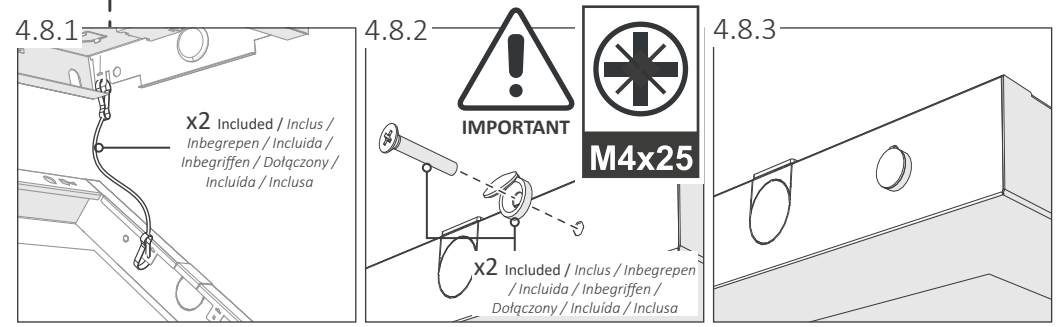
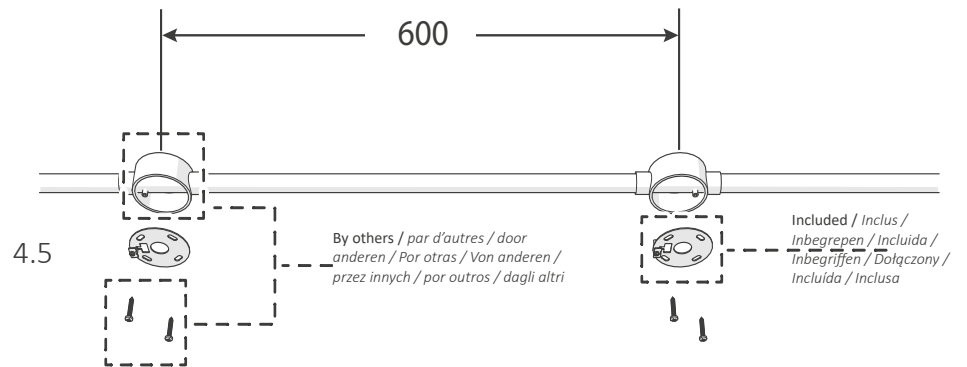
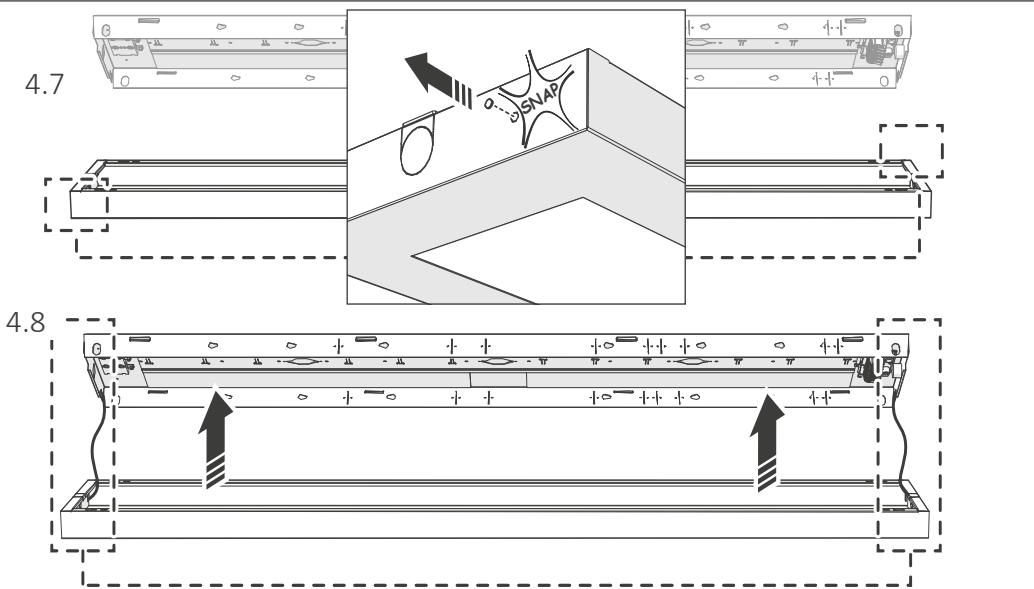
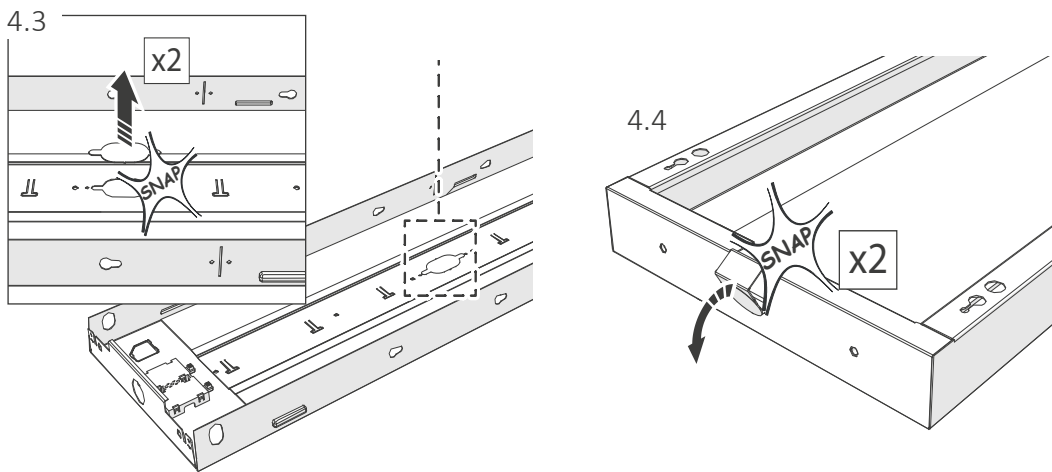
**4****BESA Installation** / *BESA Installation / BESA Installatie / BESA Instalación / BESA Instalacja / BESA Instalação / BESA Installazione*

4.1



4.2





**5** Additional Settings / Paramètres additionnels / Aanvullende instellingen / Ajustes adicionales / Zusätzliche Einstellungen / Dodatkowe ustawienia / Configurações adicionais / Altre impostazioni

Warranty/ Technical & contact information are all available at [www.integral-led.com](http://www.integral-led.com)

IS1026 D



Integral LED is a division of Integral Memory plc:  
Unit 6, Iron Bridge Close, Iron Bridge Business Park,  
London, NW10 0UF, UK  
Integral Europe BV, 2801 DG, NL