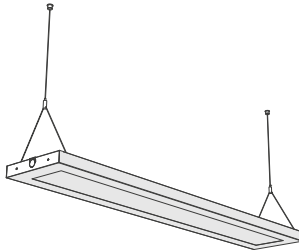
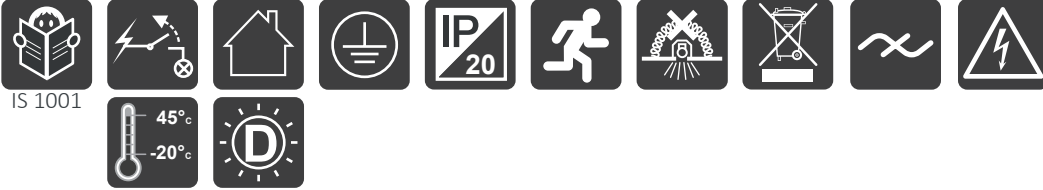


# integral™ LED

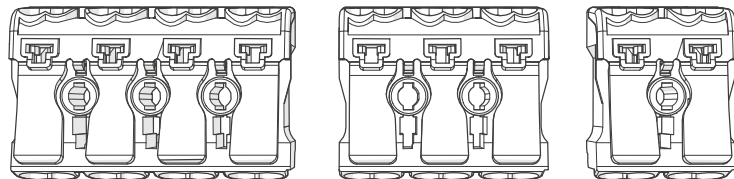
INSTALLATION INSTRUCTIONS  
INSTRUCCIONES D'INSTALACION  
INSTALLATIE INSTRUCTIES  
INSTRUCCIONES DE INSTALACION  
INSTALLATIONSANLEITUNG  
INSTRUKCJE INSTALACJI  
INSTRUÇÕES DE INSTALAÇÃO

Linear Suspended or Surface Mounted Office Fitting



Connection / Lien / Verbinding / Conexión / Verbindung / Połączenie / Conexão / Connessione

Fig. 1



N	⊕	L	L1
Neutral	Earth	(switched) Live	(unswitched) Live

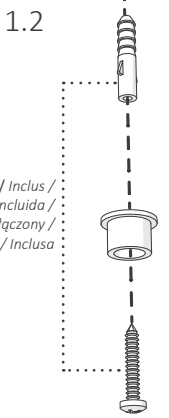
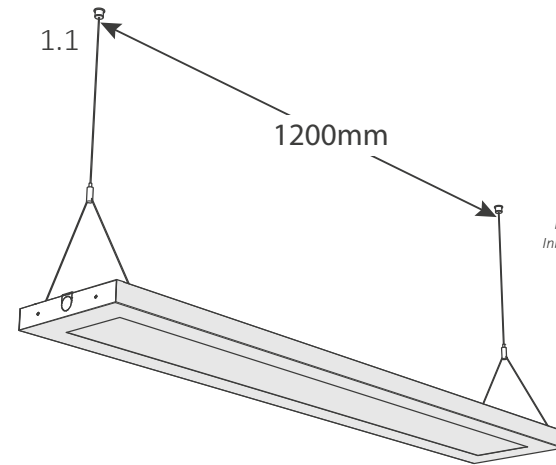
N	⊕	L
Neutral	Earth	Live

D1	D2
DAU 1 (+)	DAU 2 (-)

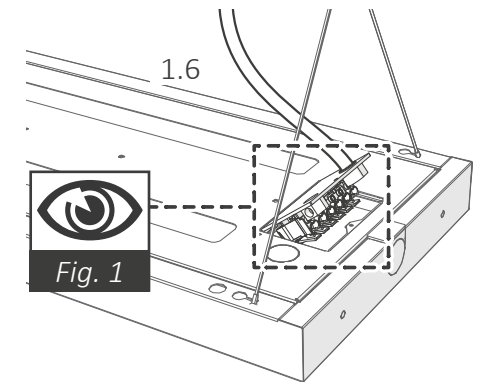
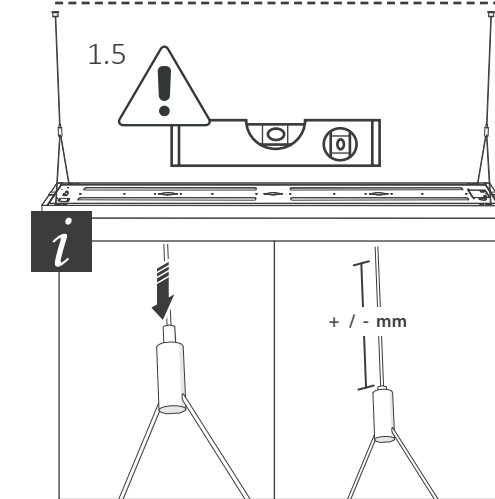
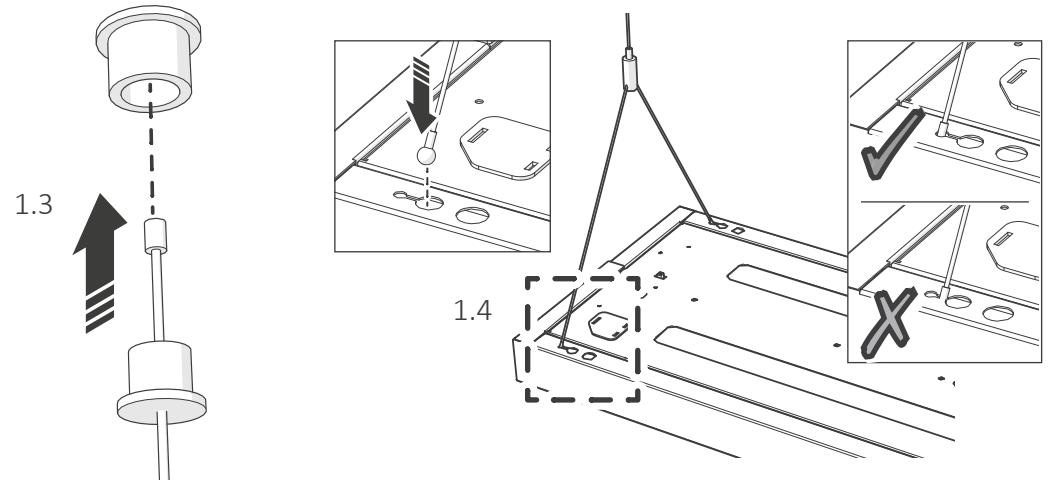
## 1 Installation / Installation / Installatie / Instalación / Installation / Instalacja / Instalação

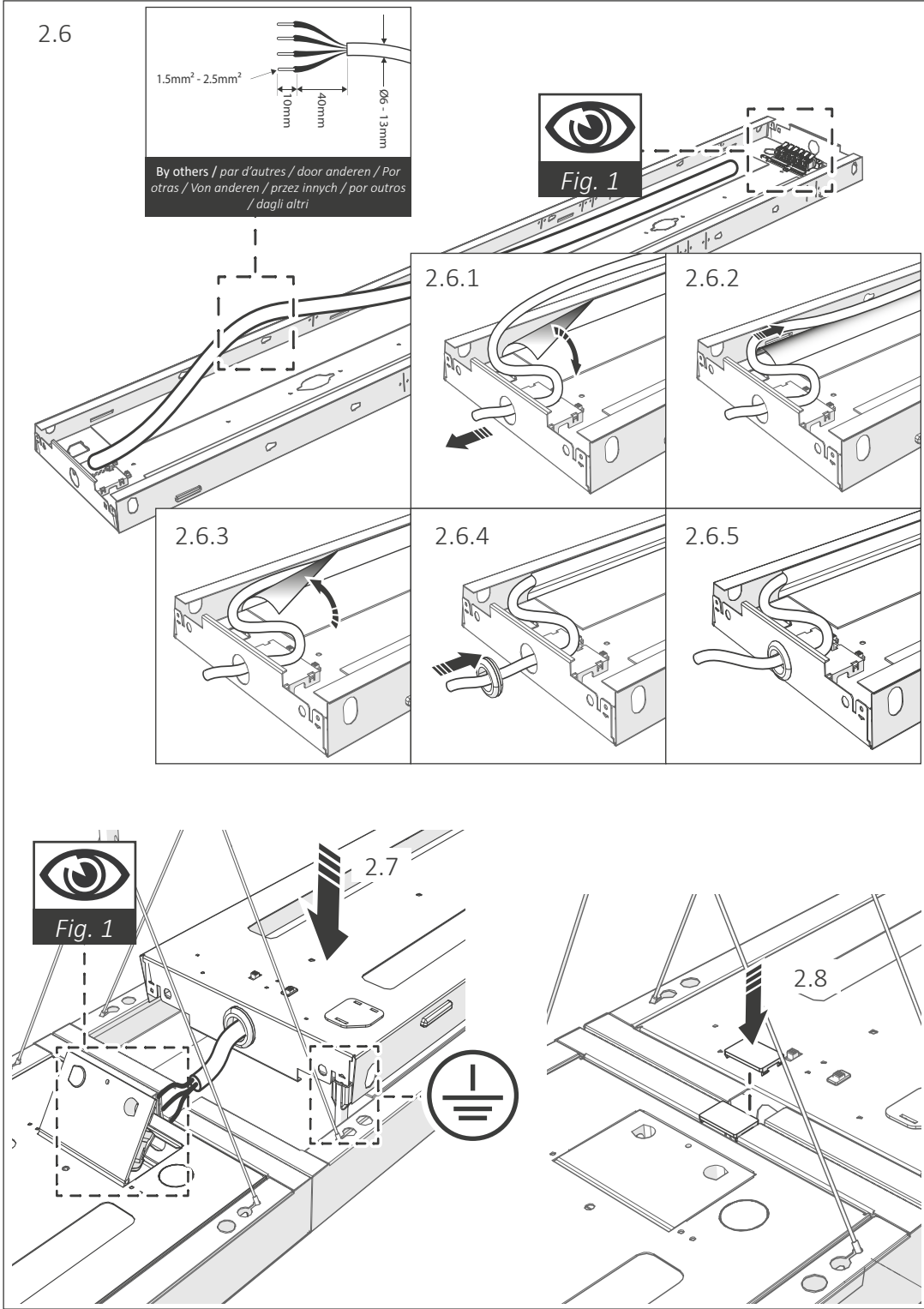
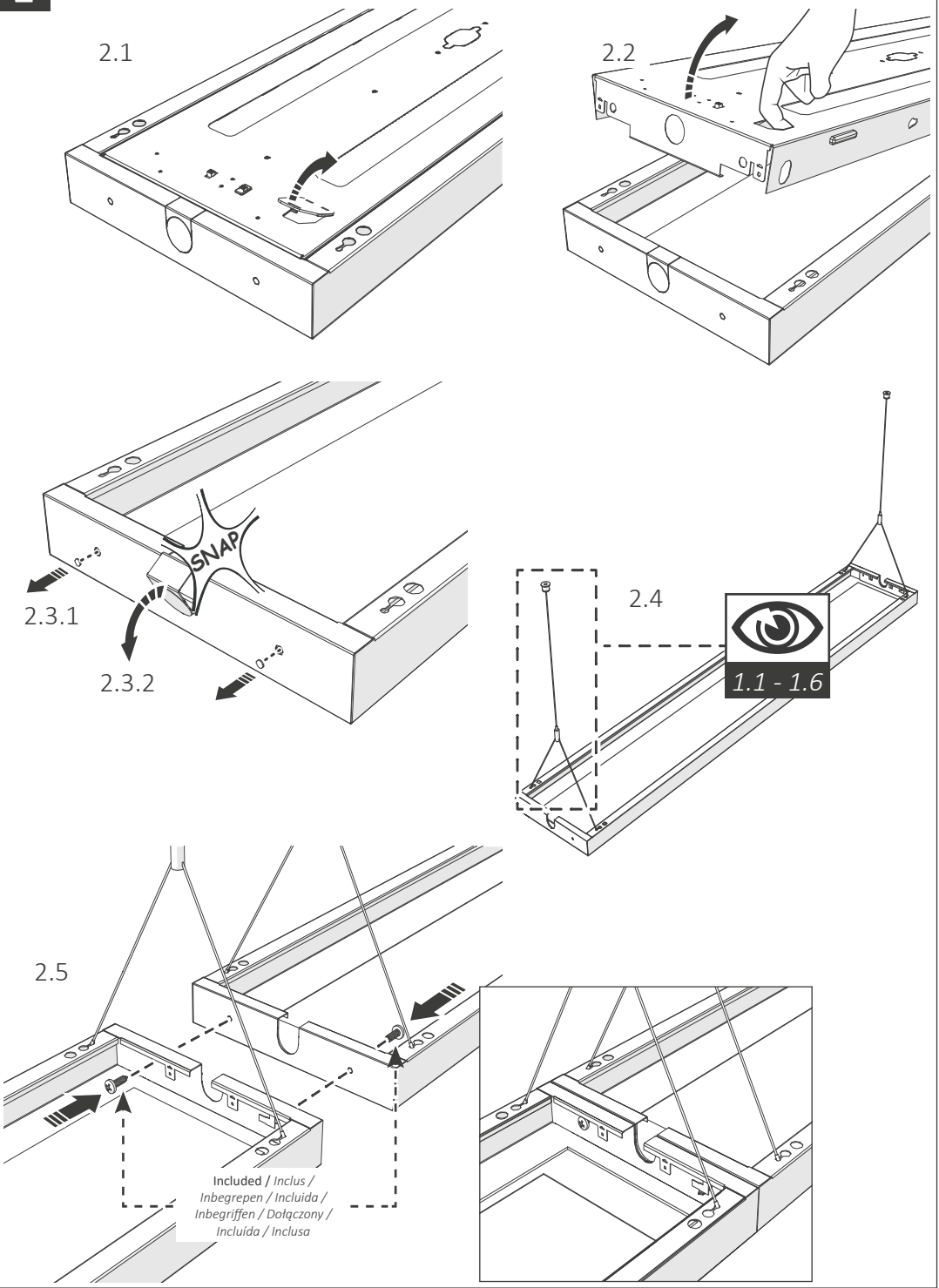


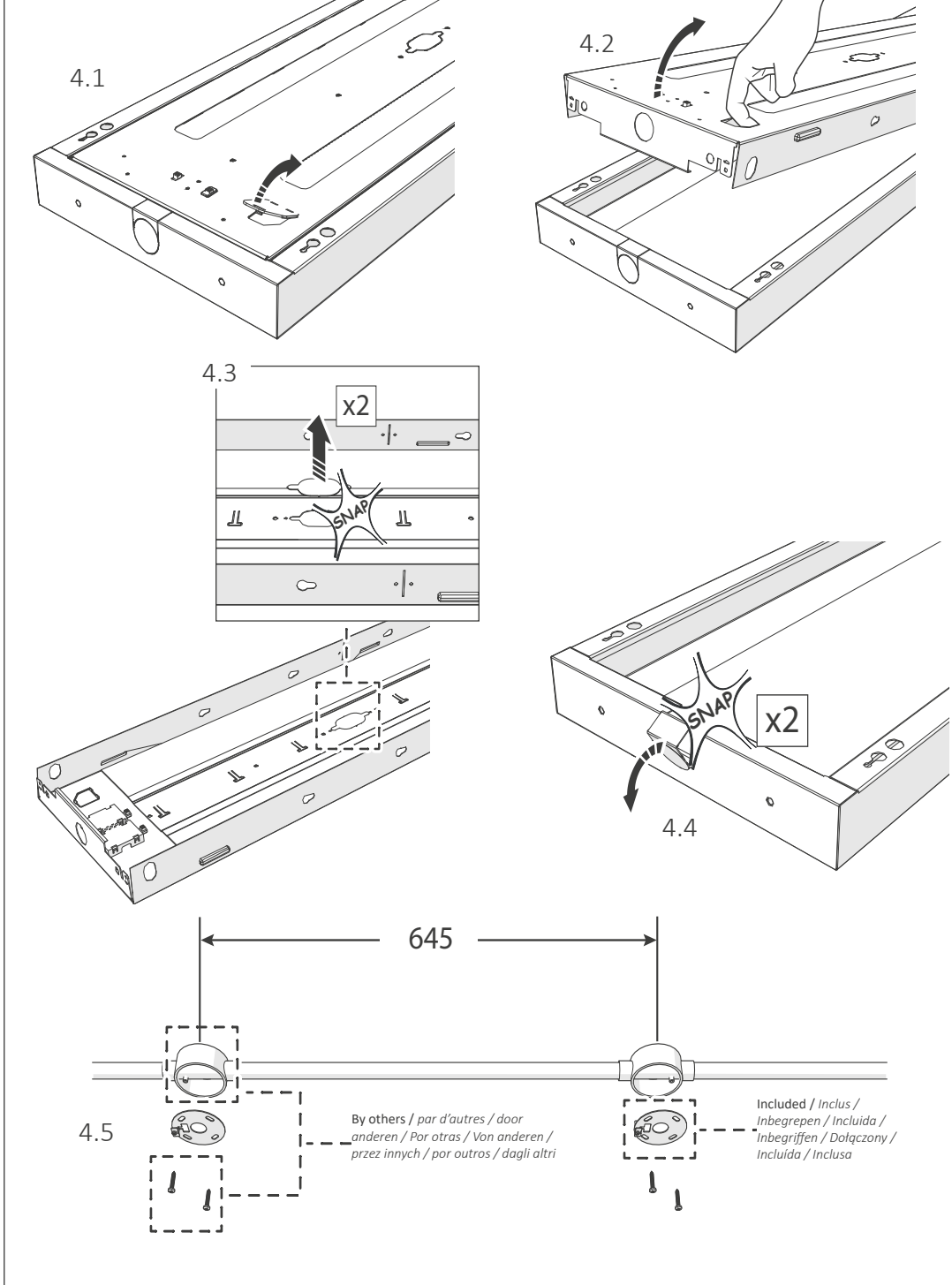
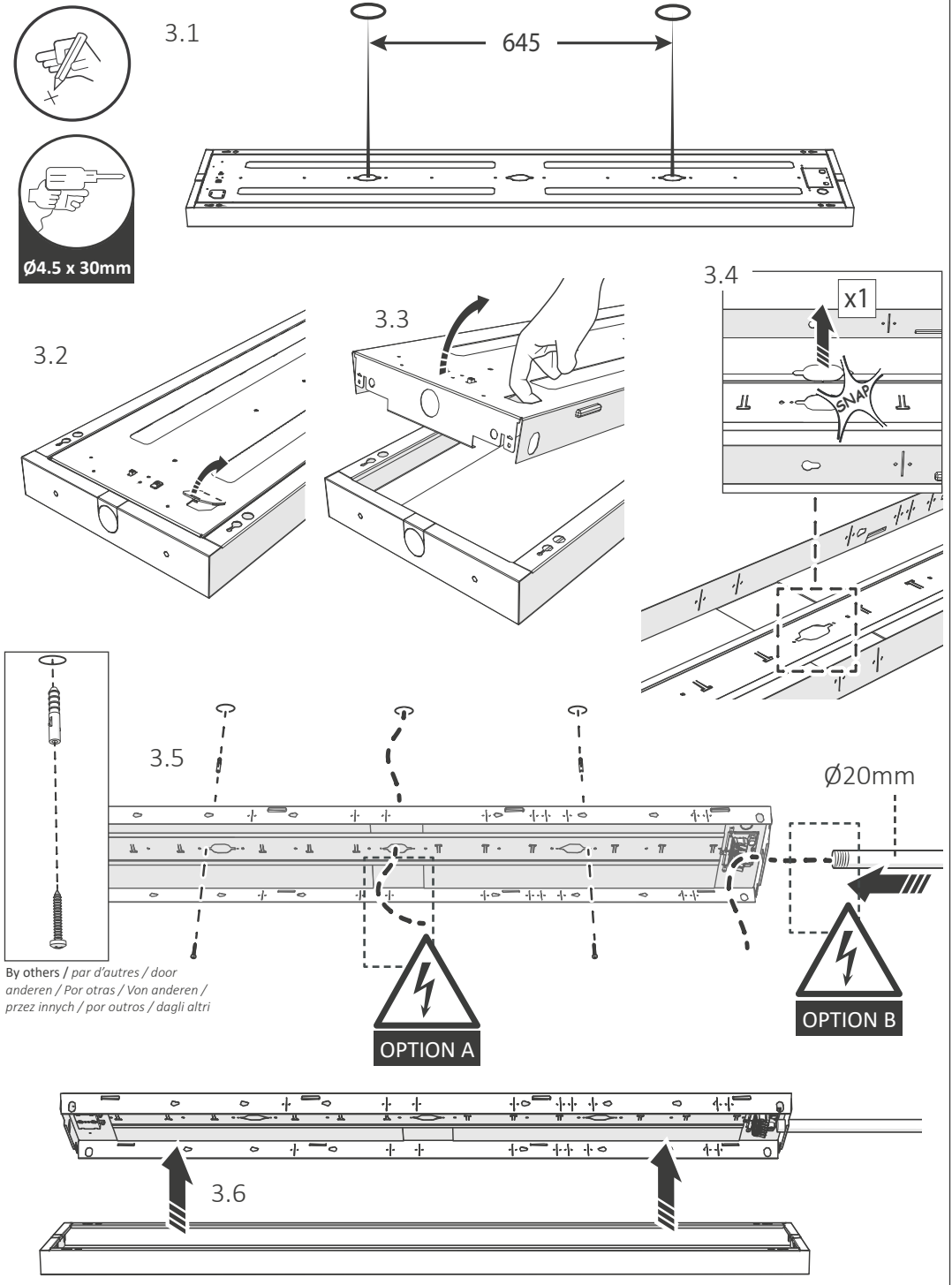
Ø4.5 x 30mm



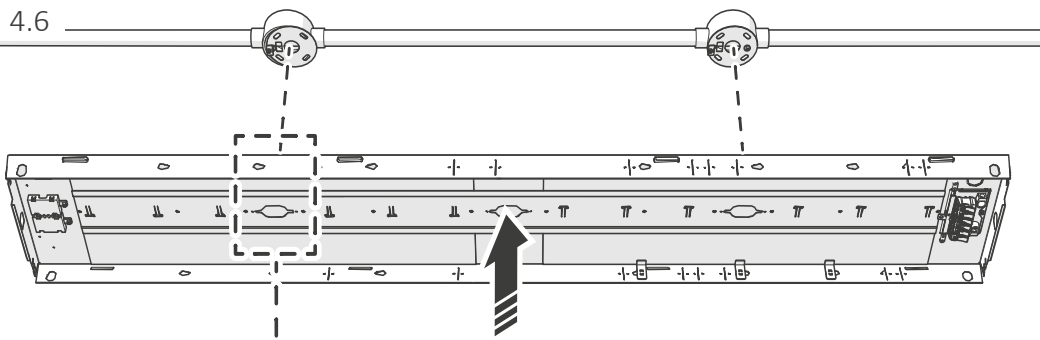
Included / Inklus /  
Inbegrepen / Includa /  
Inbegriffen / Dołączony /  
Incluída / Inclusa



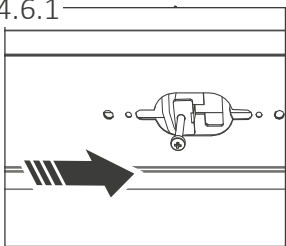




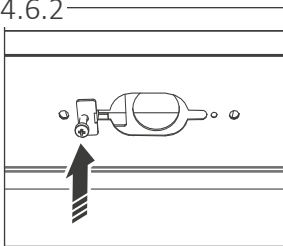
4.6



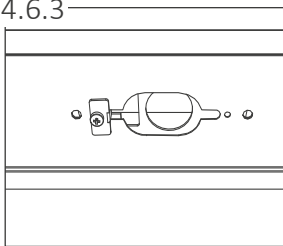
4.6.1



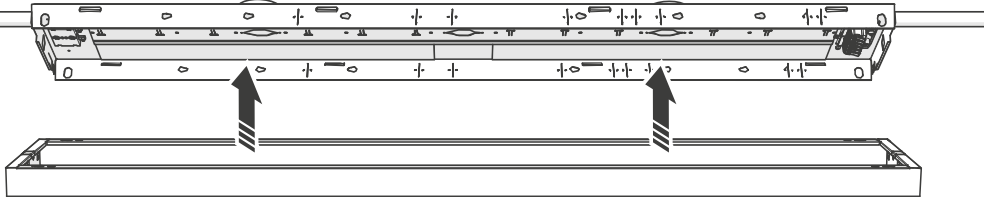
4.6.2



4.6.3

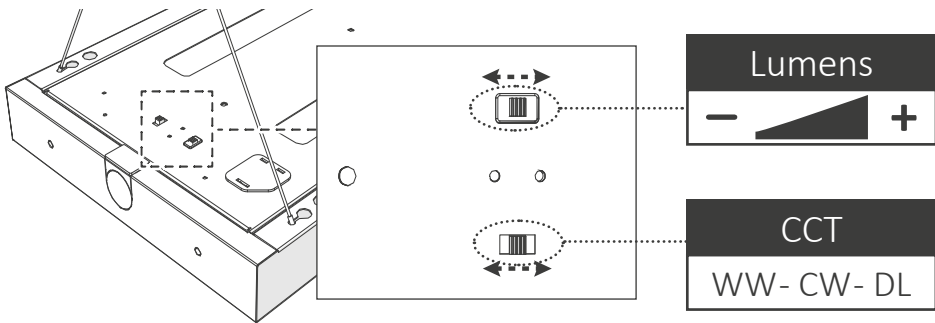


4.7



5

Additional Settings / Paramètres additionnels / Aanvullende instellingen / Ajustes adicionales / Zusätzliche Einstellungen / Dodatkowe ustawienia / Configurações adicionais / Altre impostazioni



Warranty/ Technical & contact information are all available at [www.integral-led.com](http://www.integral-led.com)



All Trademarks Acknowledged

Integral LED is a division of Integral Memory plc:  
Unit 6, Iron Bridge Close, Iron Bridge Business Park,  
London, NW10 0UF, UK  
Integral Europe BV, 2801 DG, NL

IS1026 A