

integral LED

Product Instruction

LEDGEAR® One4all Driver

integral LED
MODEL: ILDRCCA070A
Constant Current LED Driver
INPUT: 220-240VAC 50/60Hz
0.18A Max PF:0.93@42V
OUTPUT: 50V±Max

Output Current and setting table

Pin	V _o DC	I _o DC	P _{out}	1	2	3	4	5
13W	250mA	10.5W	-	-	-	-	-	-
16W	300mA	12.6W	ON	-	-	-	-	-
18W	350mA	14.7W	-	ON	-	-	-	-
20W	400mA	16.8W	ON	-	-	-	-	-
22W	450mA	18.9W	-	ON	-	-	-	-
25W	500mA	21.0W	ON	-	ON	-	-	-
27W	550mA	23.1W	-	ON	ON	-	-	-
29W	600mA	25.2W	ON	ON	ON	-	-	-

• T_c ta=45°C tc=90°C

integral LED
MODEL: ILDRCCA071A
Constant Current LED Driver
INPUT: 220-240VAC 50/60Hz
0.3A Max PF:0.93@42V
OUTPUT: 50V±Max

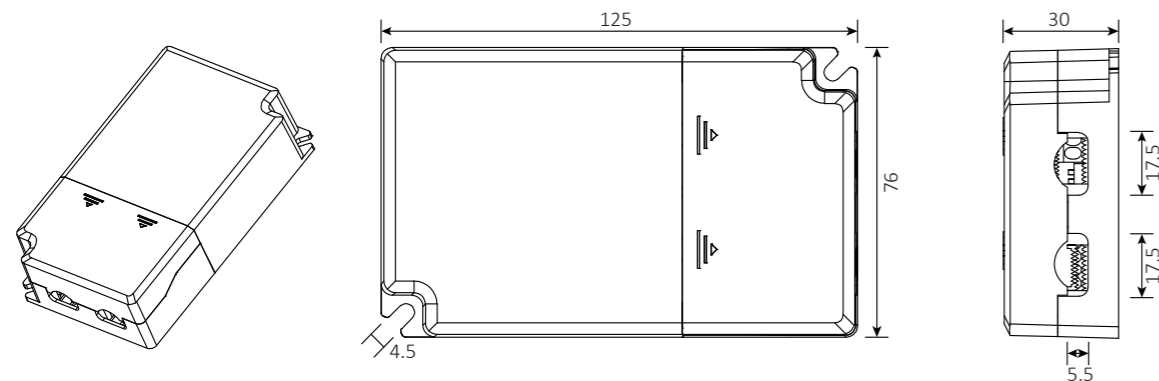
Output Current and setting table

Pin	V _o DC	I _o DC	P _{out}	1	2	3	4	5
31W	650mA	27.3W	-	-	-	-	-	-
34W	700mA	29.4W	ON	-	-	-	-	-
36W	750mA	31.5W	-	ON	-	-	-	-
39W	800mA	33.6W	-	ON	ON	-	-	-
41W	850mA	35.7W	ON	-	ON	-	-	-
43W	900mA	37.8W	-	ON	ON	ON	-	-
45W	950mA	39.9W	-	ON	ON	ON	ON	-
48W	1000mA	42.0W	ON	-	ON	ON	ON	-
51W	1050mA	44.1W	-	ON	ON	ON	ON	ON
53W	1100mA	46.2W	ON	ON	ON	ON	ON	ON

• T_c ta=45°C tc=90°C

Read this manual carefully and keep it for future use.

Dimensions



Specifications

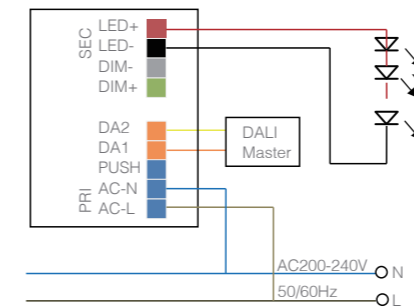
OUTPUT	Dimming range	DALI 1%-100%; Push-DIM 2%-100%, 0-10V: 10%-100%
	Flicker percentage	<3%
INPUT	AC Voltage range	200-240VAC
	Frequency range	47 ~ 63Hz
	Power factor	>0.95 at full power
Environment	Working Temp.	-20°C ~45°C
	Storage temp., humidity	-40°C ~80°C
Connection	AC Connector	Push Type Terminal, Max. 1.5mm ² input cable cord
Others	Warranty years	5
	Lifespan (hrs) @ ta=25°C	50000H
	DALI Standard	IEC 62386-101: 2014, IEC 62386-102: 2014, IEC 62386-207: 2009, DALI-2
	Dimension L x W x H	125X76X30mm

integral LED

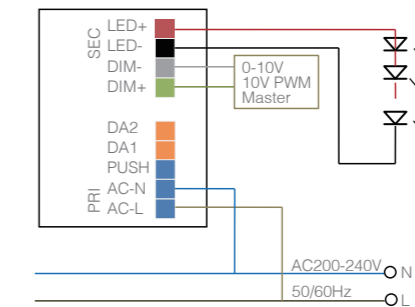
Product Instruction

Wiring Diagram

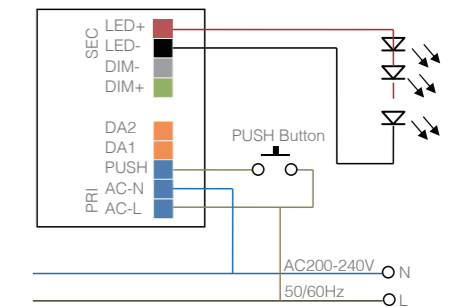
DALI



0-10V / 10V PWM



PUSH



Use the dip switches to set the desired output that matches the luminaire.

ILDRCCA071A (standard 650 mA)

DIP S.W.	1	2	3	4	5
650mA	-	-	-	-	-
700mA	ON	-	-	-	-
750mA	-	ON	-	-	-
800mA	-	-	ON	-	-
850mA	ON	-	ON	-	-
900mA	-	ON	ON	-	-
950mA	-	-	ON	ON	-
1000mA	ON	-	ON	ON	-
1050mA	-	ON	ON	ON	-
1100mA	ON	ON	ON	ON	-

ILDRCCA070A (standard 250 mA)

DIP S.W.	1	2	3	4	5
250mA	-	-	-	-	-
300mA	ON	-	-	-	-
350mA	-	ON	-	-	-
400mA	ON	ON	-	-	-
450mA	-	-	ON	-	-
500mA	ON	-	ON	-	-
550mA	-	ON	ON	-	-
600mA	ON	ON	ON	-	-

General information

- IP 20, only for indoor use.
- Beware of electric shocks.
- Shut off the power for installation and maintenance.
- This product may only be installed by a recognized installer.
- The luminaire and the driver must not be covered with heat-insulating material.

