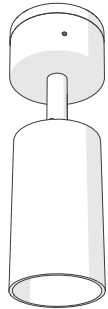
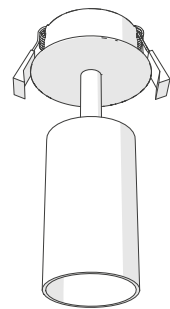


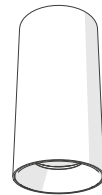
Type A



Type B



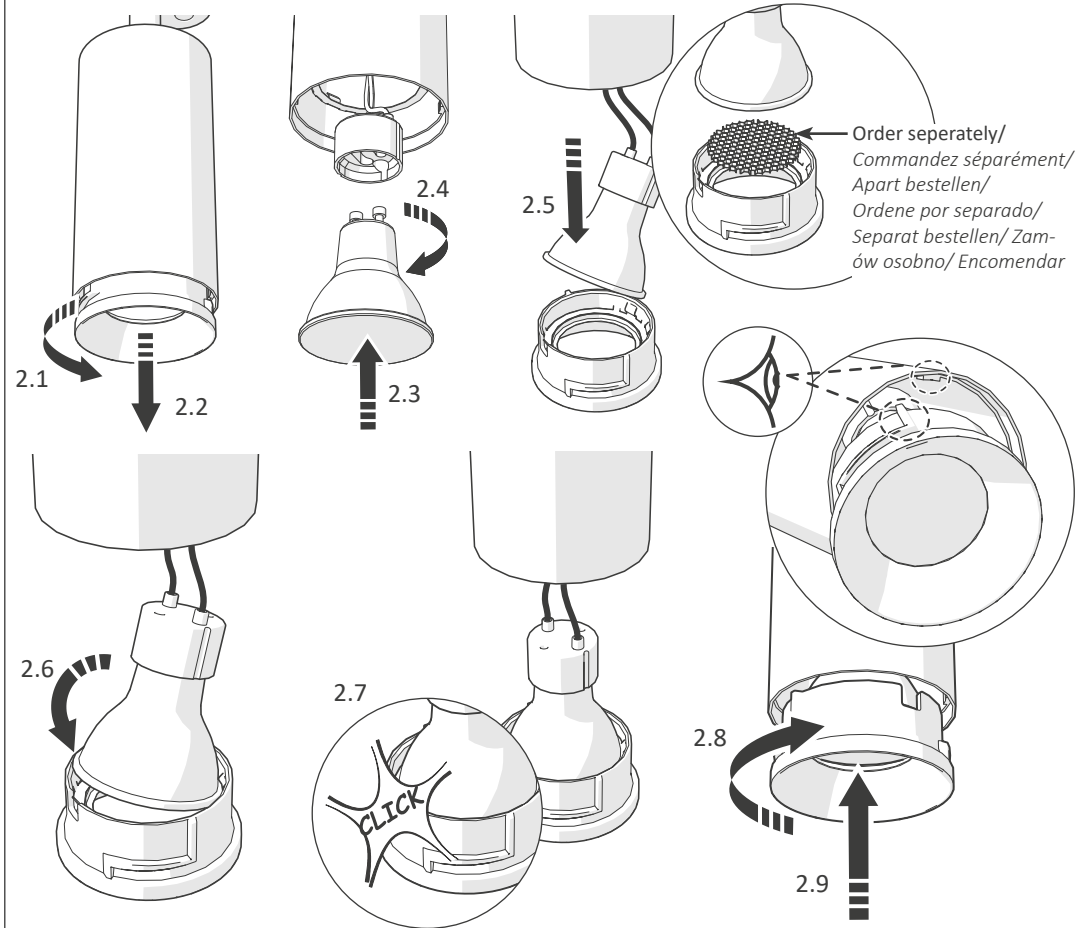
Type C



Type D

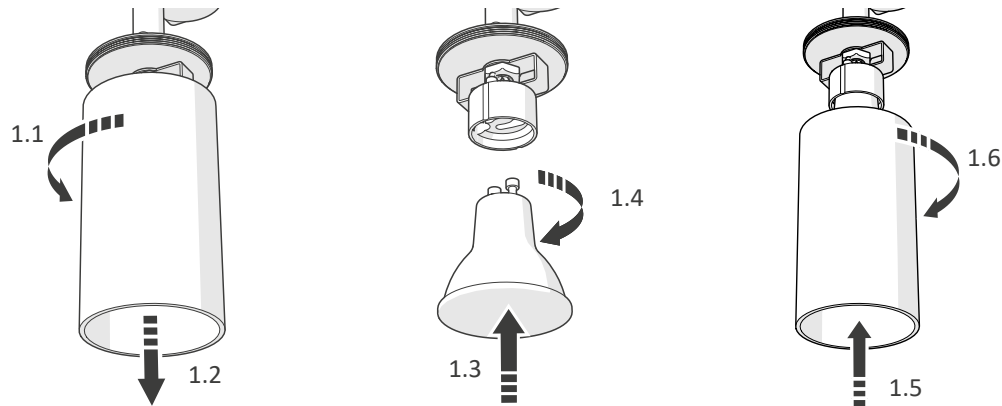
2 S2

Lamp assembly / Assemblage de la lampe / Lamp montage / Montaje de la lámpara / Lampenmontage / Montaż lampy / Montagem da lâmpada / Assemblaggio lampada



1 S1

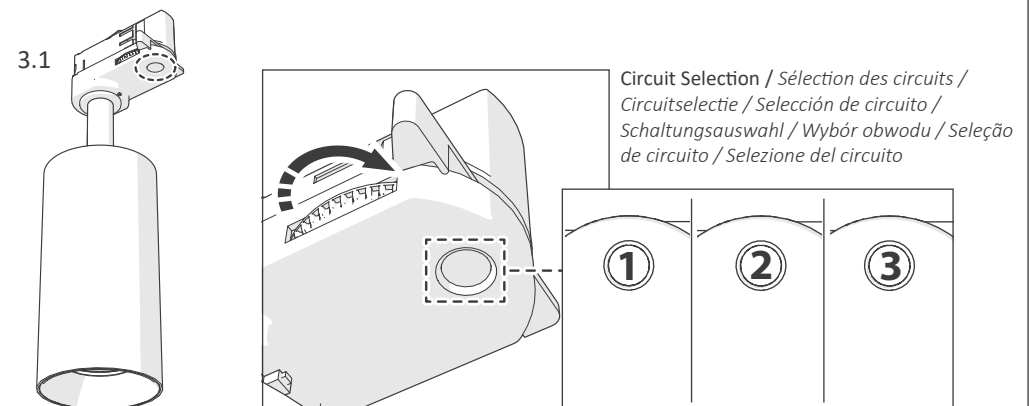
Lamp assembly / Assemblage de la lampe / Lamp montage / Montaje de la lámpara / Lampenmontage / Montaż lampy / Montagem da lâmpada / Assemblaggio lampada

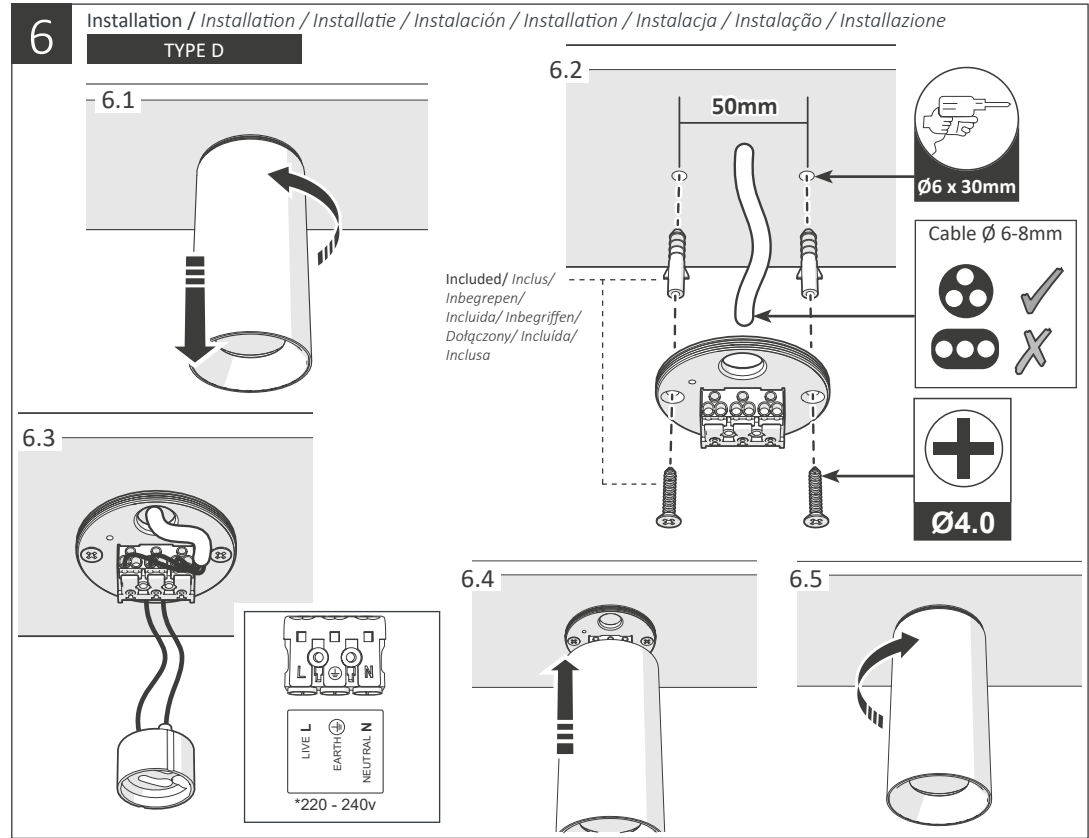
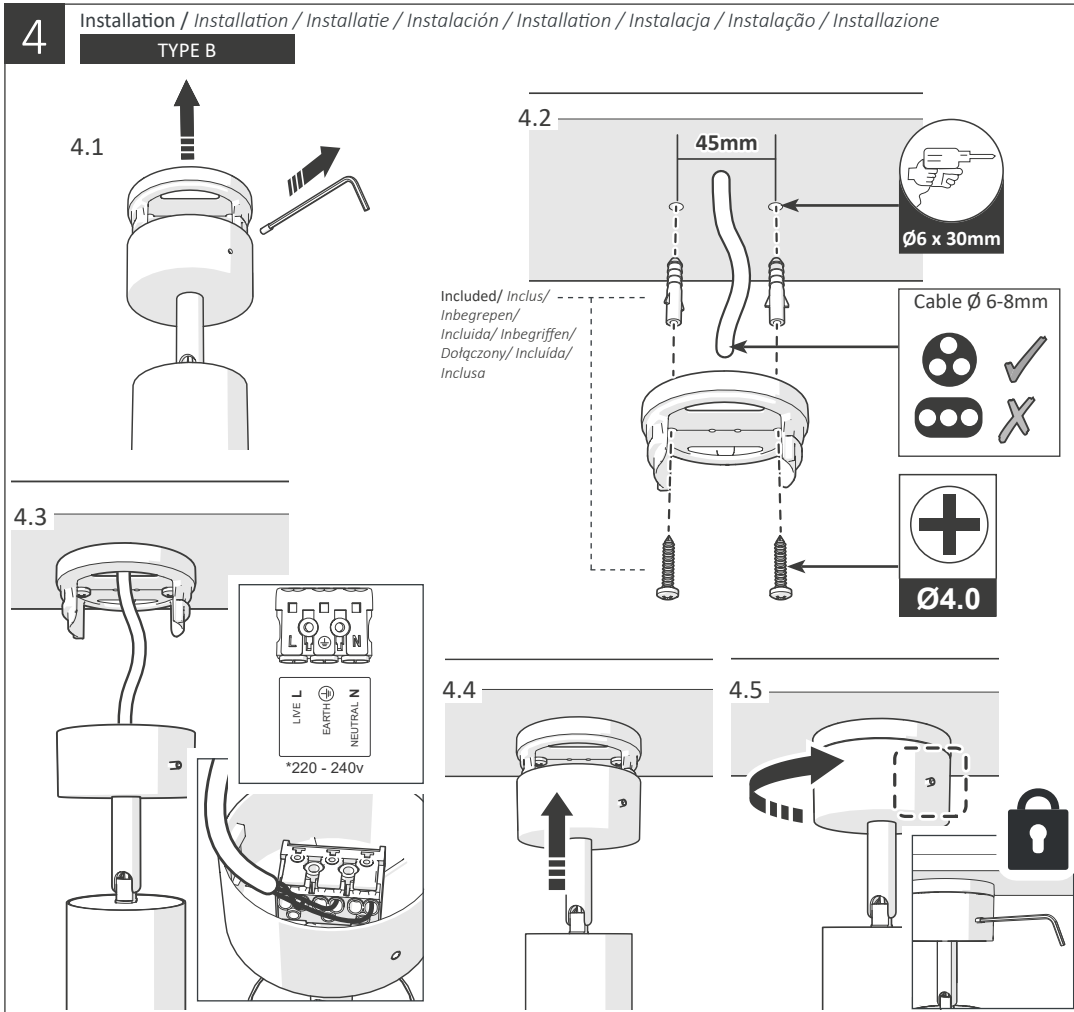
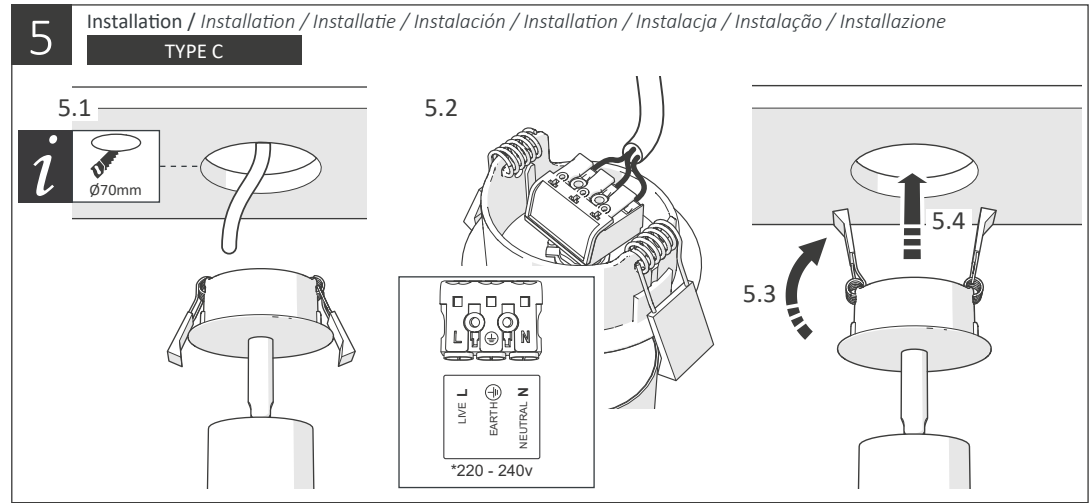
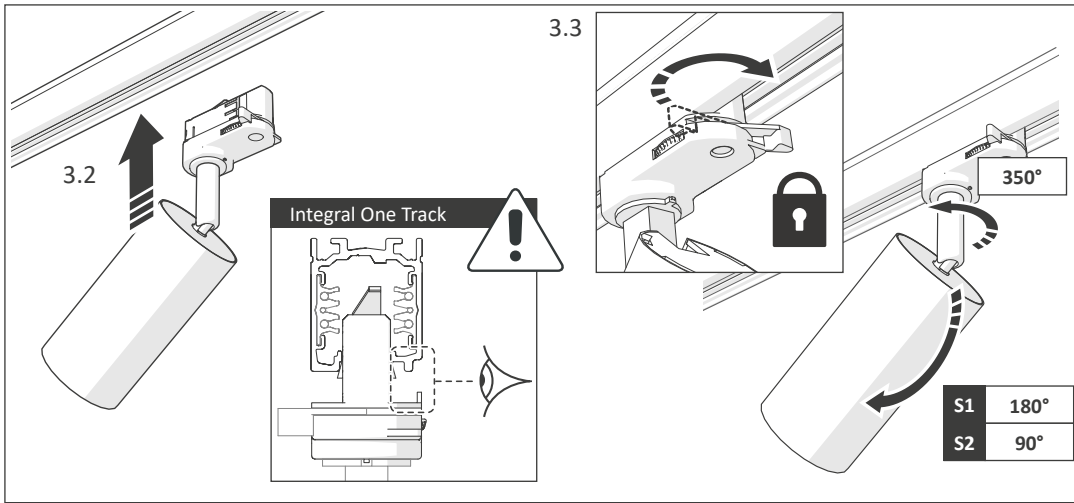


3

Installation / Installation / Installatie / Instalación / Installation / Instalacja / Instalação / Installazione

TYPE A





Warranty/ Technical & contact information are all available at www.integral-led.com

IS1022 A



Integral LED is a division of Integral Memory plc:
Unit 6, Iron Bridge Close, Iron Bridge Business Park,
London, NW10 0UF, UK
Integral Europe BV, 2801 DG, NL