

# integral™ LED

INSTALLATION INSTRUCTIONS  
 INSTALLATION INSTRUCTIONS  
 INSTRUCTIONS D'INSTALLATION  
 INSTALLATIE INSTRUCTIES  
 INSTRUCCIONES DE INSTALACIÓN  
 INSTALLATIONSANLEITUNG  
 INSTRUKCJE INSTALACJI  
 INSTRUÇÕES DE INSTALAÇÃO

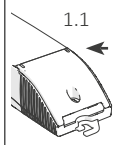
Accent Pro Downlights



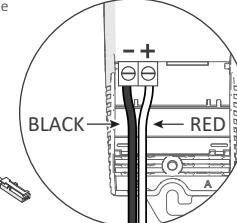
## 1

Connection/ Lien/ Verbinding/ Conexión/ Verbindung/ Potęczenie/ Conexão

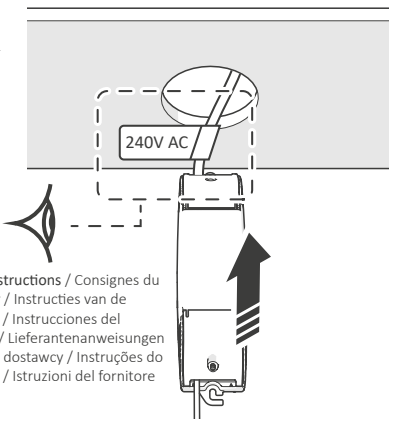
PRODUCT	Min. - Max. mA	Min. - Max. Vf
ILD150P	≤ 150	DC 30 - 36V
ILD175P	≤ 200	DC 30 - 36V
ILD195P	≤ 350	DC 30 - 36V
ILD120P	≤ 600	DC 30 - 36V



Order separately / Commandez séparément / Apart bestellen / Ordene por separado / Separat bestellen / Zamów osobno / Encomendar Separadamente / Ordina separatamente



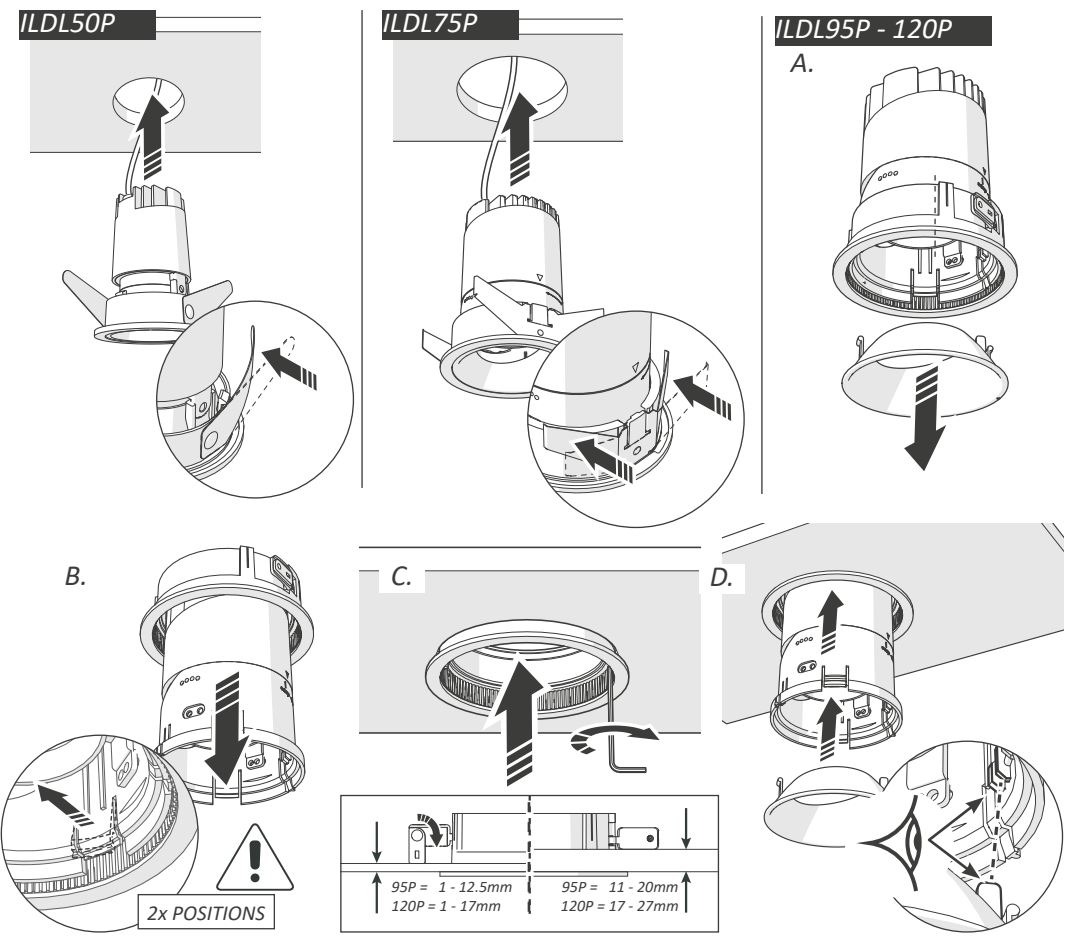
## 1.2



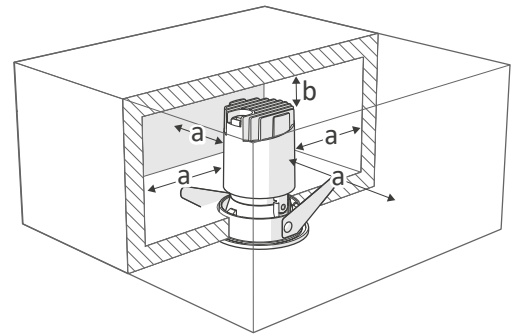
Supplier instructions / Consignes du fournisseur / Instructies van de leverancier / Instrucciones del proveedor / Lieferantenanweisungen / Instrukcje dostawcy / Instruções do fornecedor / Istruzioni del fornitore

## 2

Installation - with bezel / Installation / Installatie / Instalación / Installation / Instalacja / Instalação



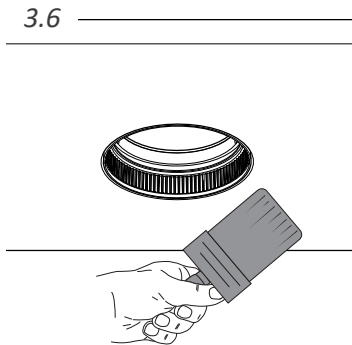
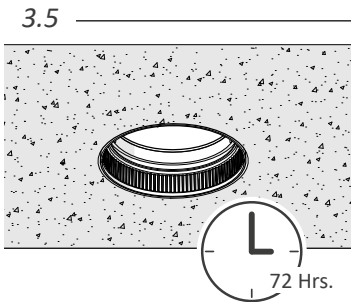
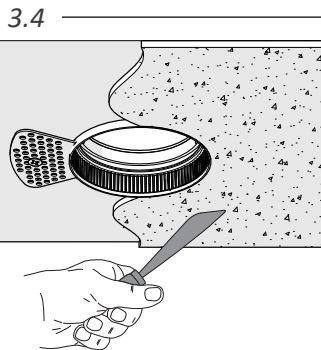
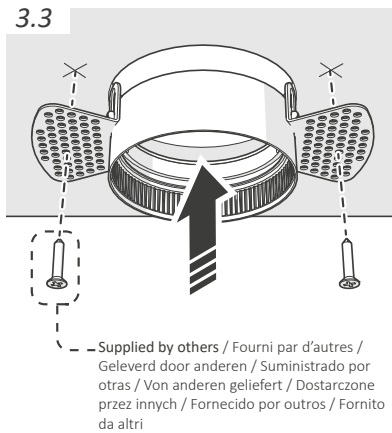
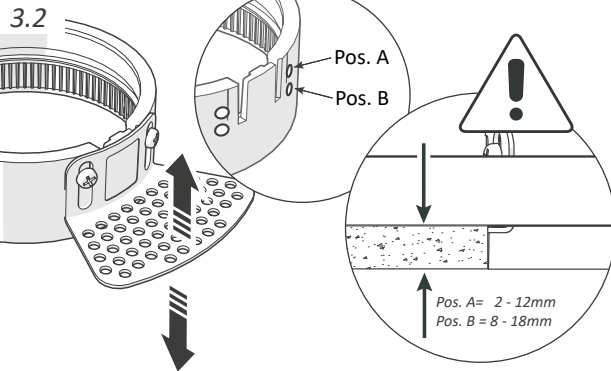
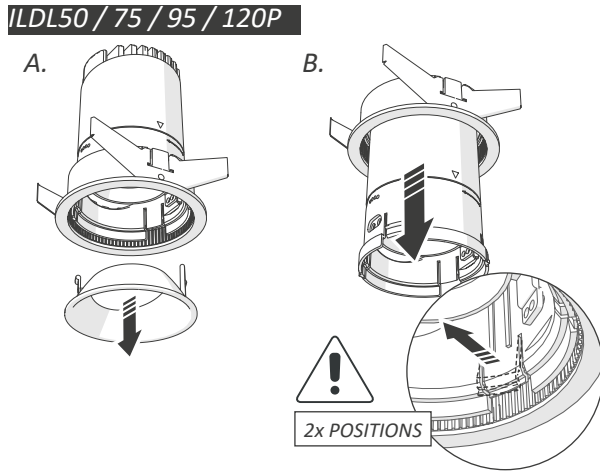
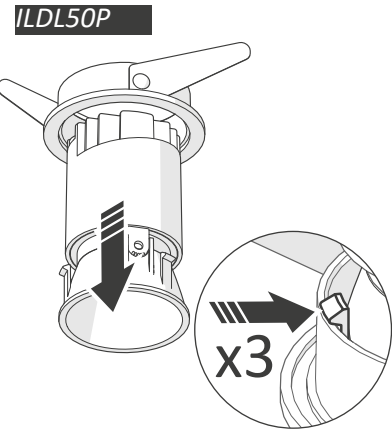
a = Min. 50mm  
 b = Min. 50mm



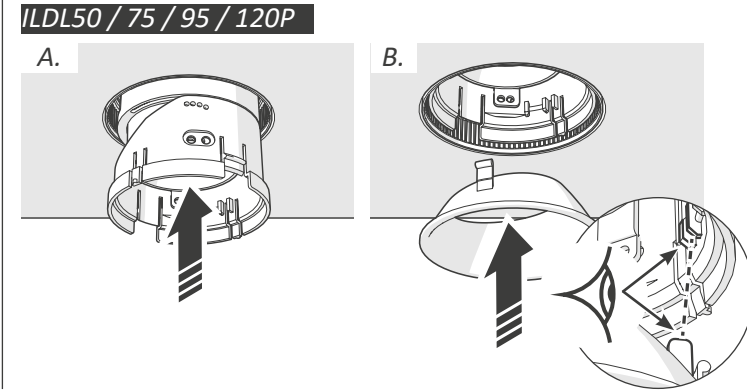
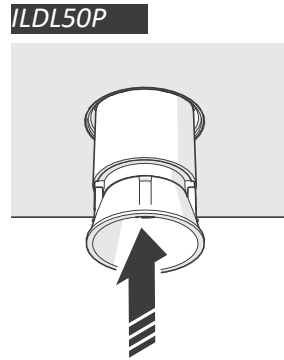
PRODUCT	
ILD150P	Ø50mm
ILD175P	Ø75mm
ILD195P	Ø95mm
ILD120P	Ø120mm

2x POSITIONS

3.1

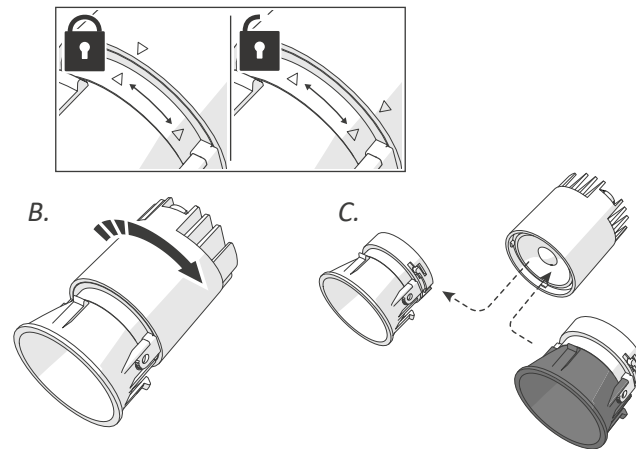
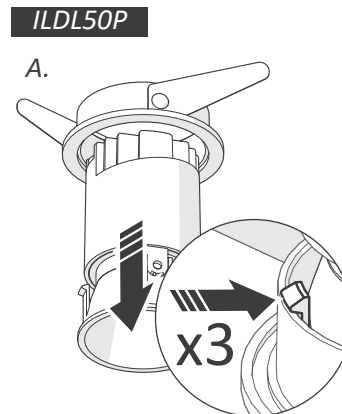


3.7

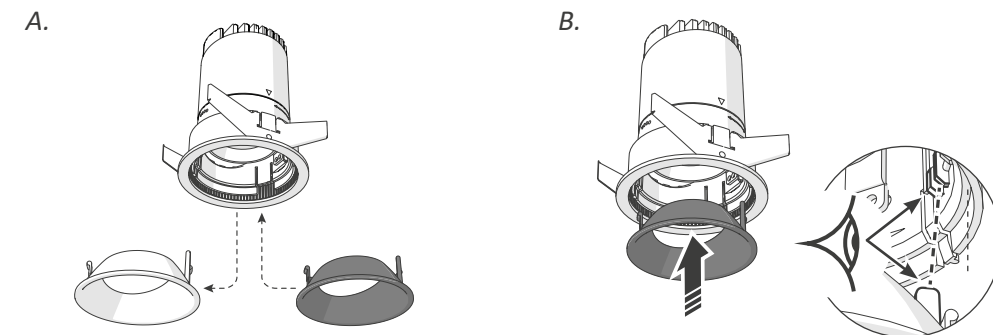


4

Accessories / Accessoires / Accessoires / Accesorios / Zubehör / Akcesoria / Acessórias / Accessori



**ILD50 / 75 / 95 / 120P**



Warranty/ Technical & contact information are all available at [www.integral-led.com](http://www.integral-led.com)

IS1014 B



Integral LED is a division of Integral Memory plc:  
Unit 6, Iron Bridge Close, Iron Bridge Business Park,  
London, NW10 0UF, UK  
Integral Europe BV, 2801 DG, NL