

# integral™ LED

INSTALLATION INSTRUCTIONS  
 INSTALLATION INSTRUCTIONS  
 INSTRUCTIONS D'INSTALLATION  
 INSTALLATIE INSTRUCTIES  
 INSTRUCCIONES DE INSTALACIÓN  
 INSTALLATIONSANLEITUNG  
 INSTRUKCJE INSTALACJI  
 INSTRUÇÕES DE INSTALAÇÃO

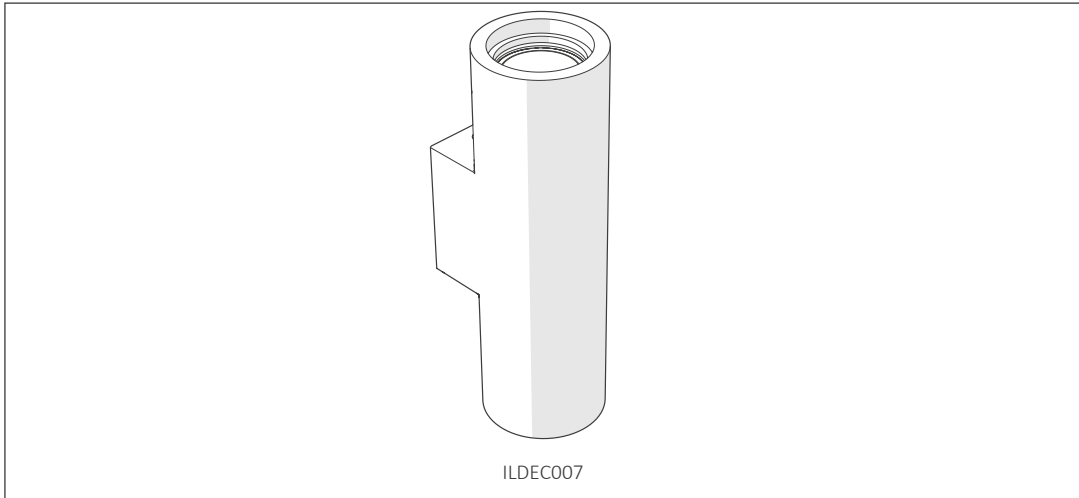
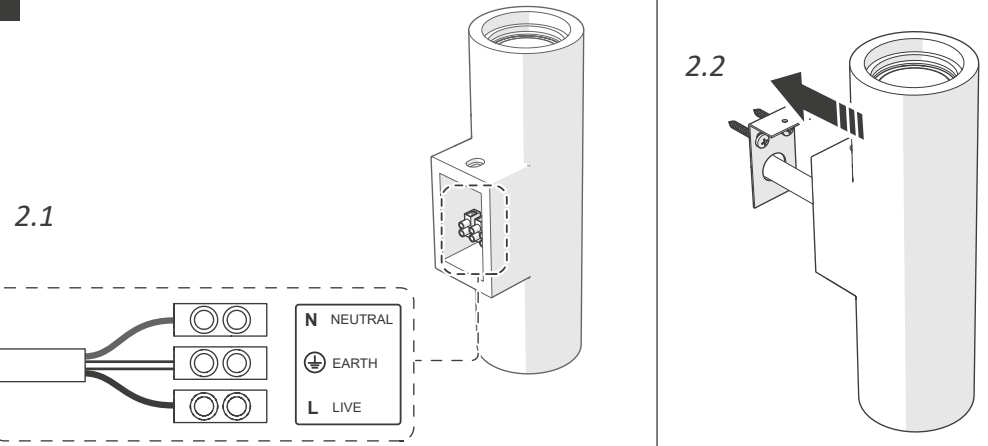
Gypsum Decor Lights



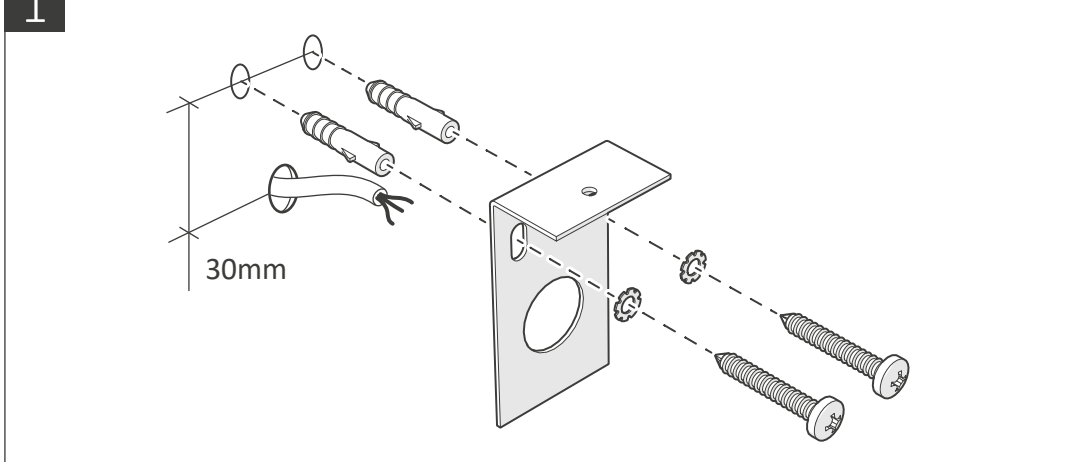
IS 1001

2

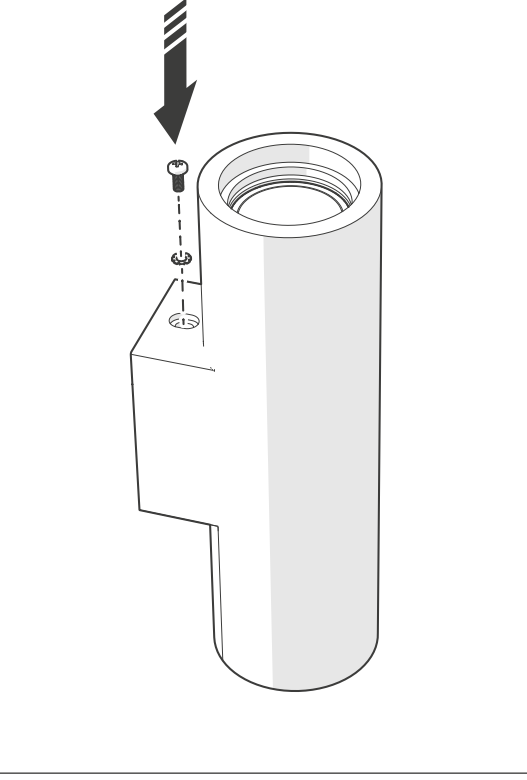
Connection/ Lien/ Verbinding/ Conexión/ Verbindung/ Potęczenie/ Conexão/ Connessione



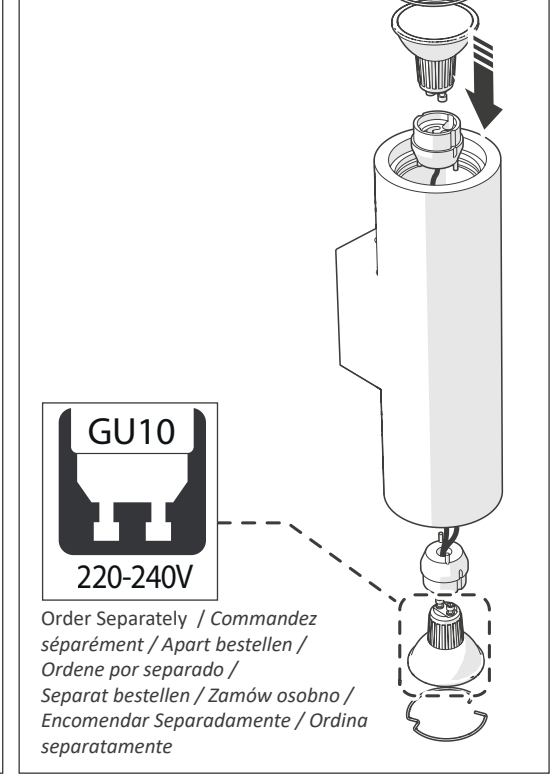
1 Installation / Installation / Installatie / Instalación / Installation / Instalacja / Instalação



3



4



Warranty/ Technical & contact information are all available at [www.integral-led.com](http://www.integral-led.com)

IS 1008 A



All Trademarks Acknowledged

Integral LED is a division of Integral Memory plc:  
 Unit 6, Iron Bridge Close, Iron Bridge Business Park,  
 London, NW10 0UF, UK  
 Integral Europe BV, 2801 DG, NL