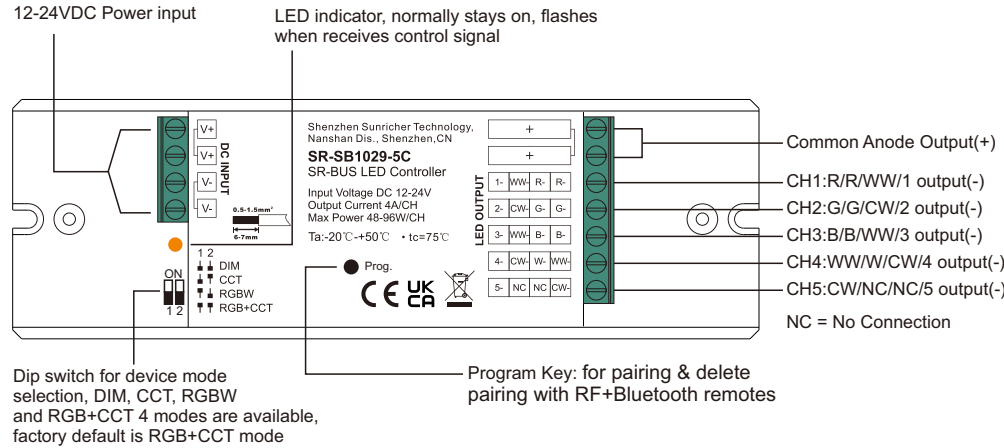


# 4 in 1 Universal RF+Bluetooth LED Controller



**Important:** Read All Instructions Prior to Installation

## Function introduction



## Product Data

Input Voltage	Output Current	Output Power	Remarks	Size(LxWxH)	Ambient Temperature	Max. Casing Temperature
12-24VDC	4A/CH	48-96W/CH	Constant voltage	145x46.5x16mm	-20°C ~ +50°C	75°C

- 4 in 1 universal RF+Bluetooth LED controller, radio frequency: 2.4GHz
- 4 different device modes DIM, CCT, RGBW and RGB+CCT in 1 controller, and selectable by dip switch
- Allows control of ON/OFF, light intensity, color temperature, RGB color of connected LED lights
- Ultra powerful to control Single Color, CCT, RGBW, RGB+CCT LED strips
- Controlled through both smart App and remote controls, no gateway required for local control
- The controller can be configured as six different light types: RGB+CCT, RGBW, RGB, CCT, DIM, ON/OFF using the smart APP
- Easy & quick pairing to the smart App by simply pushing the Prog. button
- Mesh network, much longer control distance, transmits received signal to neighbouring devices
- Up to 30m transmission distance between every two neighbouring devices
- Encrypted two-way communication, quick status feedback, safe & reliable data transmission
- Compatible with universal RF+Bluetooth remotes, each LED controller can pair to max. 8 remotes
- Cloud control is available for remote access, works with Amazon Alexa and Google Home
- Waterproof grade: Ip20

## Safety & Warnings

- DO NOT install with power applied to device.
- DO NOT operate the dip switches for device mode selection with power applied to device.
- DO NOT expose the device to moisture.

## Operation

### Pair/delete the pairing with RF+Bluetooth remote

1. Do wiring according to connection diagram and set dip switches according to your preference.
2. Pair LED controller with RF+Bluetooth remote: please refer to the instruction of the remote that you would like to pairwith.

3. Delete the pairing:

- (1) Wire up the LED controller correctly, power on.
- (2) Press and hold down the “Prog.” button on the controller for over 3 seconds (or reset power of the device 8 times continuously if the button is not accessible to factory reset the device) until the connected light flashes, which means the remote was successfully deleted.

Note: factory resetting will restore all configured parameters of the device on the APP to factory default setting.

## Pair with smart APP

1. Do wiring according to connection diagram and set dip switches according to your preference.
2. Download EasyThings APP from IOS APP Store or Android Google Play to your smart phone or tablet by searching “EasyThings”. (As shown in **Figure 1**)
3. Enable Bluetooth on your smart phone or tablet. (As shown in **Figure 2**)  
Android users need to enable location



Figure 1

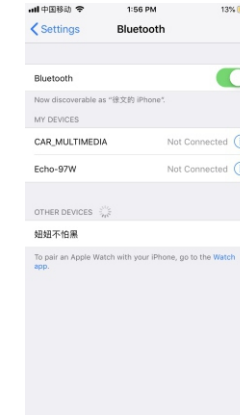


Figure 2

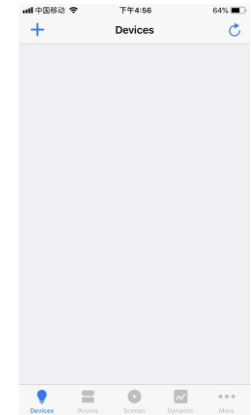


Figure 3

4. Run Easythings APP, tap add button “+” on the APP to add device, then choose “Discover devices” to discover device, then **short press the “Prog.” button on the LED controller twice (or reset power of the controller twice continuously)** to set the device into pairing to APP mode. (As shown in **Figure 3 & Figure 4 & Figure 5**)

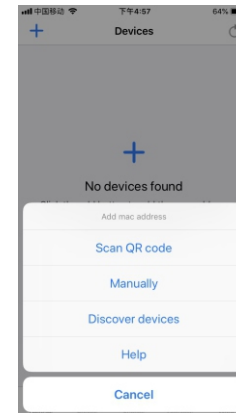


Figure 4

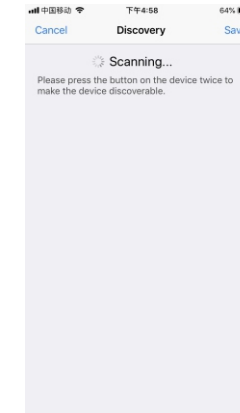


Figure 5

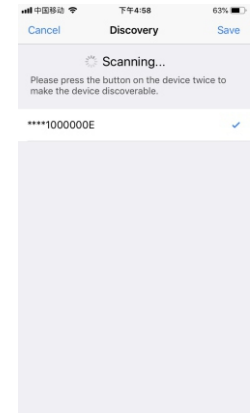




Figure 6

Note: multiple LED controllers can be discovered by the APP at the same time.

5. Once the device/devices are discovered, they will show in the app with a tick. tap “Save” button, the device/devices will be added successfully. (as shown in **Figure 6**)

## Configure Light Type Using smart APP

1. Press and hold the device icon to enter into control interface, then tap button “” at upper right corner to enter into edit page of this device (As shown in **Figure 7** & **Figure 8**).

2. Then tap “**Light Type**” to enter light type configuration page, for this receiver, it can be configured as 6 light types: **RGB CCT**, **RGBW**, **RGB**, **CCT**, **DIM**, **ON/OFF**, **IO**. Once select a Light Type, tap “” at upper right corner to confirm, the connected light will flash to indicate successful configuration. (As shown in **Figure 8**)

NOTE: IO setting means to set the light type using the physical dip switches.

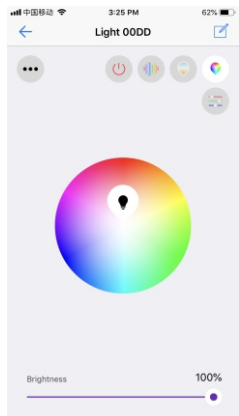


Figure 7

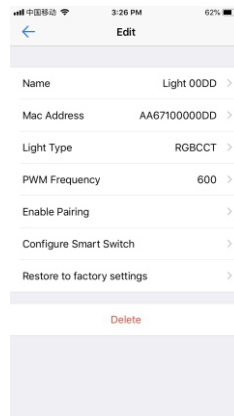
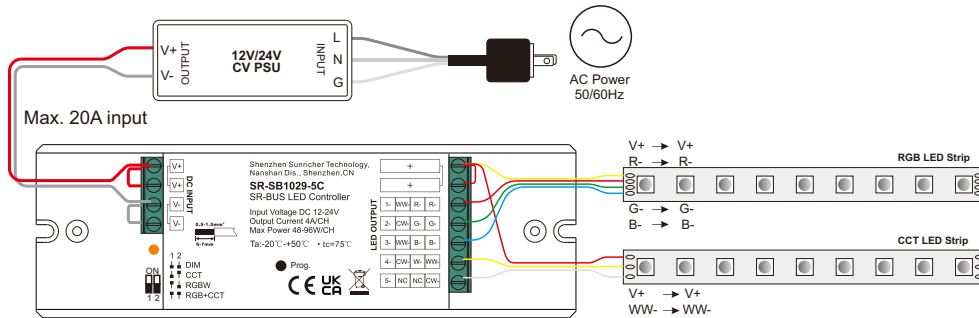


Figure 8

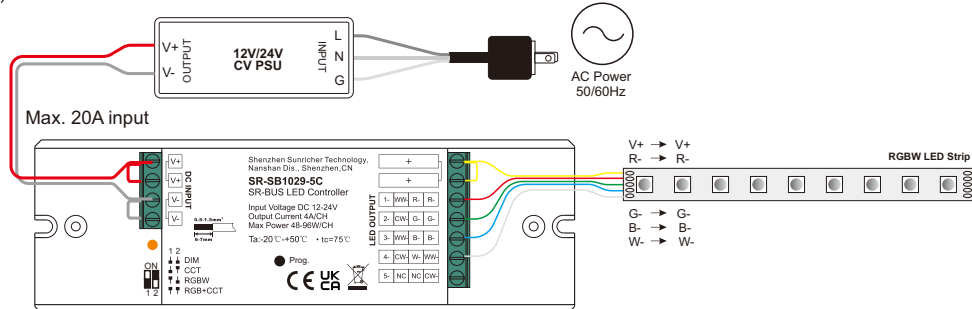
## Wiring Diagram

### 1) RGB+CCT Mode



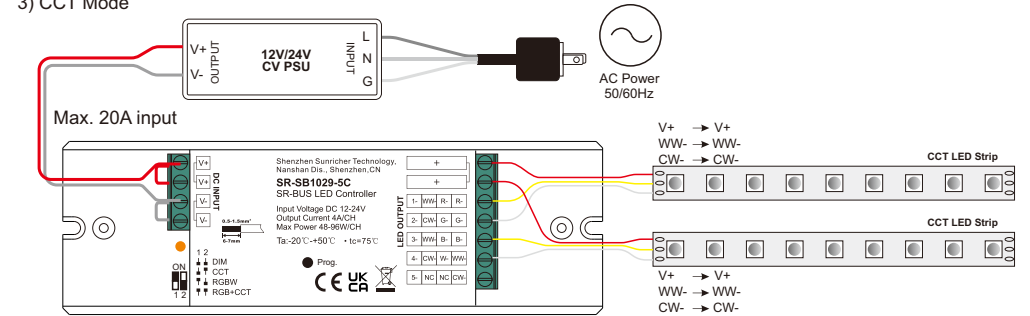
Note: please make sure the dip switches are at position for RGB+CCT mode as shown in above diagram.

### 2) RGBW Mode



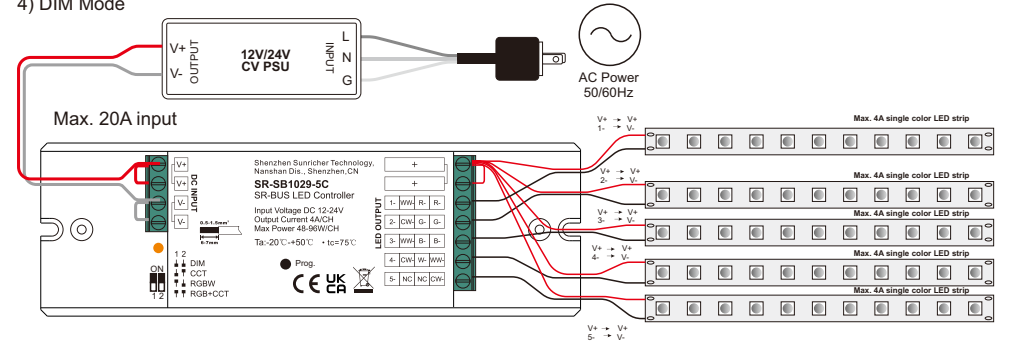
Note: please make sure the dip switches are at position for RGBW mode as shown in above diagram.

### 3) CCT Mode



Note: please make sure the dip switches are at position for CCT mode as shown in above diagram.

### 4) DIM Mode



Note: please make sure the dip switches are at position for DIM mode as shown in above diagram.

EasyThings APP User Manual, User Guide for Controlling RF+Bluetooth LED Controllers through Amazon Alexa and Google Home can be downloaded from QR codes.



Amazon Alexa

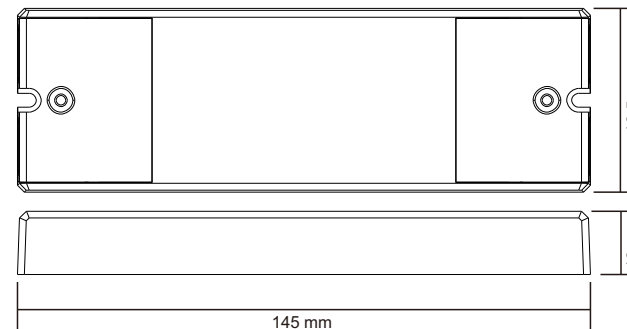


EasyThings User Manual



Google Home

## Product Dimension



WASTE ELECTRICAL PRODUCTS SHOULD NOT BE DISPOSED OF WITH HOUSEHOLD WASTE. PLEASE RECYCLE WHERE FACILITIES EXIST. CHECK WITH YOUR LOCAL AUTHORITY FOR RECYCLING ADVICE.

Shenzhen Sunricher Technology Co. Ltd  
 Add: 3F, Bldg. E, Qihang Industrial Park, 1008 Songbai Road, Nanshan Dis., Shenzhen 518108