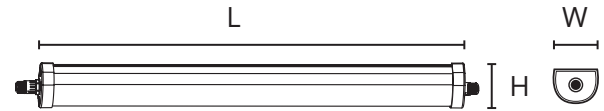


## INSTALLATION INSTRUCTIONS FOR INTEGRAL LED "LINKABLE" BATTENS

Integral Product Code	Product Dimensions (mm) (LxWxH)	Net Weight (Kg)
ILBTOA001	656 x 75 x 52	0.52
ILBTOA002	1266 x 75 x 52	0.975
ILBTOA003	1566 x 75 x 52	1.128
ILBTOA004	1866 x 75 x 52	1.313



**Always turn off power before installations and maintenance.  
Please make sure that the power cannot be connected unexpectedly.**

### **Important Details - Please read prior to installation**

1. This product must be installed by a qualified electrician in accordance with instructions provided and in compliance with recognised electrical and safety regulations relevant to the country it is being installed.
2. This product is suitable for installation on surfaces with normal flammability e.g. wood, masonry. It is not suitable for use on highly flammable surfaces or in flammable atmosphere.
3. This product must be securely fixed to the mounting surface using the mounting clips, screws and wall plugs supplied (see Table 2). The screws and wall plugs are suitable for "masonry" only. Other fixings are not supplied and must be purchased.
4. Please use the IP65 entry cable gland supplied in the box if the LED batten is required to be linked.
5. To maintain IP rating please pay attention to the polarity (see Connecting Cables tips).
6. Please ensure that 2-core H05RN-F / H07RN-F minimum 2x0.75mm<sup>2</sup> cable is used to power the luminaire and to link to other.
7. Bending radius of H05RN-F cable is 45mm. Please allow minimum 100mm clearance distance from the end of LED Batten.
8. To link to other LED Battens please remove gland fitted on the other end of the batten and use the IP65 entry-cable gland supplied (see Connection Cables tips).
9. Please see Table 3 for cable specification and maximum interconnection quantity of LED Battens.
10. This product is not suitable for dimming.
11. No user serviceable parts.

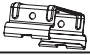



Image	Fixing Kit	LED Batten Model	
		ILBTOA001 ILBTOA002/ ILBTOA003	ILBTOA004
	Fixing Clip	2	3
	Wall Plug	2	3
	Screws + Washer	2	3
	IP65 entry-cable gland	1	1

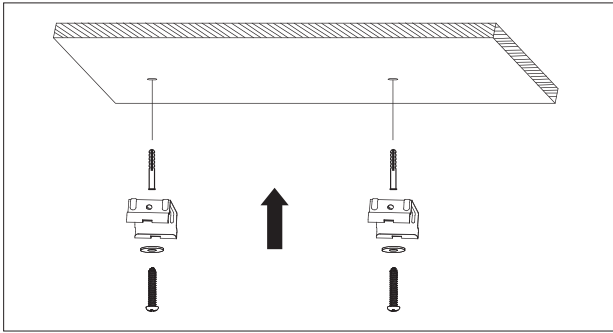
Table 2 - Fixing Kit quantity

LED Batten Model	Maximum interconnection quantity using 2 core 0.75mm <sup>2</sup>	Maximum interconnection quantity using 2 core 1.5mm <sup>2</sup>
ILBTOA001	18	30
ILBTOA002	9	20
ILBTOA003	7	16
ILBTOA004	6	14

Table 3 - Maximum Interconnection quantity

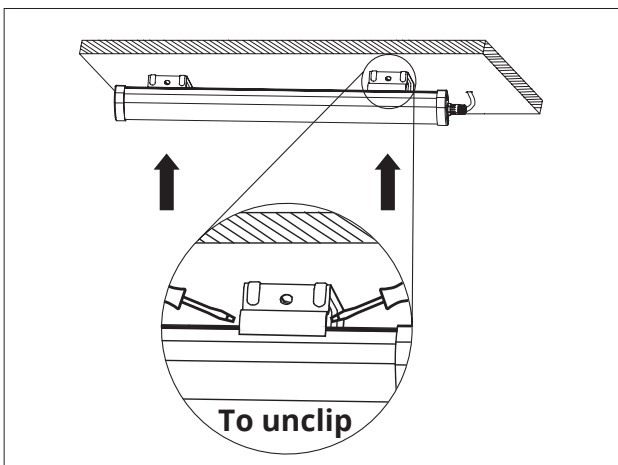
# INSTALLATION TIPS

## PLACING MOUNTING CLIPS



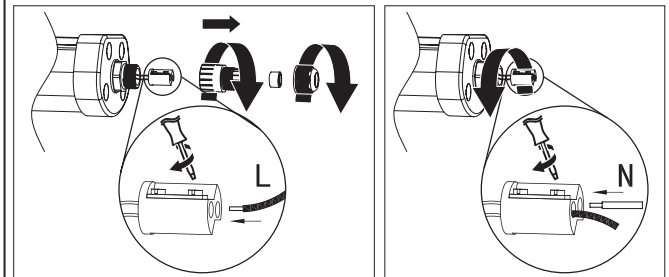
1. Ensure that the fixings provided are suitable for the substrate. Alternative fixings may be required.
2. Mounting clips equally spaced positioned approximately 10 cm from each end of the batten.
3. Use wall plugs, clips, washers and screws provided.
4. Ensure that the fixing is safe and secure.

## FIXING LED BATTEN

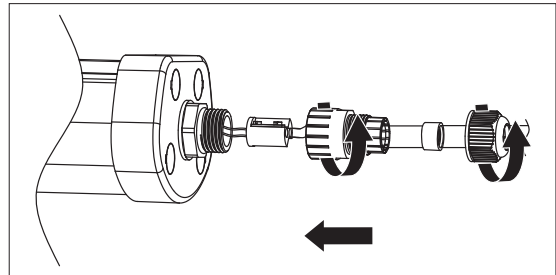


1. To fix the LED Batten please push it against the mounting clips until it clicks.
2. To unclip pull from both sides as shown in the image.

## CONNECTING CABLES

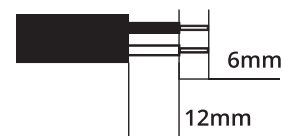


1. Prepare cable end as advised in Cable stripping diagram. This is required to maintain IP rating.
2. Unscrew both parts of cable gland as shown in above diagram, place these onto the connecting power cable.
3. Extra connector block from cable gland section retained on the end of the luminaire.
4. Loosen the terminal screw for Live connection. Then twist the connector block and loosen the terminal screw for Neutral connection.
5. Insert Live wire to L terminal (brown) and tighten.
6. Insert Neutral wire to N terminal (blue) and tighten.



7. Push connector block and cable into place in the cable gland.
8. Screw and tighten both parts of the cable gland ensuring the external sheath.
9. To link to another LED Batten remove the cable gland fitted on the other end and use the IP65 entry-cable gland provided and follow steps 2 to 6.

## CABLE STRIPPING



### ⚠ Notes:

- Operation and storage of luminaire must be within rated temperature and humidity guidelines. Operation must be within rated input voltage.
- Keep away from strong electromagnetic radiation sources and protect from lightning strike.
- Should the unit malfunction, return to distributor or reseller. No user serviceable parts inside. Risk of electric shock, do not disassemble or attempt to repair the luminaire.
- Do not install or use the luminaire if the casing is found to be broken.
- The luminaire must be installed by a qualified electrician.
- The luminaire should be positioned far away from heat and vibration. Avoid contact with any corrosive chemicals.
- The luminaire should be mounted in free air. It is recommended not to exceed 40°C ambient temperature.
- Never cover the luminaire with heat insulation materials.
- The luminaire should be positioned at least 1 metre away from radios, failure to do so may affect radio reception.
- This LED Batten is a Class II product.



Warranty/Technical and contact information are all available at [www.integral-led.com](http://www.integral-led.com)  
London NW10 0UF